

ADDENDUM NO. 2

CITY OF BRIDGMAN
WATER SYSTEM IMPROVEMENTS PROJECT

CONTRACT C – WATER PLANT ADDITION

Addendum No. 2 to the plans and specifications for the City of Bridgman, Water System Improvements Project as prepared by Wightman & Associates, Inc. dated September, 2010.

This Addendum No. 2 supplements and modifies the Contract Documents relating to the above referenced project. This Addendum shall be deemed a part of the Contract Documents, and to the extent that the provisions of the other Contract Documents are in conflict herewith, this Addendum shall control.

- A. The seven (7) exterior can lights shall be “Solia“ model number 4DR4 30 06 4WR 120 COD (4” LED downlight round light) by Renaissance Lighting or equal.
- B. EMT conduit may be used in lieu of GRC conduit in accordance to the NEC and Michigan Building Code.
- C. THHN wiring can be used in lieu of RH wiring in accordance to the NEC and Michigan Building Code.

The CONTRACTOR hereby acknowledges receipt of this Addendum No. 2 and shall include a signed copy with his bid.

Contractor: _____

By: _____

Title: _____

Date: _____

City of Bridgman

4DR4 30 06 4WR 120 COD

JOB NAME PROJECT SPECIFICATION NUMBER FIXTURE ID/TYPE DATE APPROVAL

solia™ by Renaissance Lighting

solia™ by Renaissance Lighting is the all NEW, powerfully bright and super-efficient family of white, solid-state LED luminaires that are also the most optically-efficient, solid-state LED luminaires on the market with the majority of product models being ENERGY STAR®-qualified. solia™ luminaires are enabled by Constructive Occlusion™ and fortified with a new patent-protected optical design that drives the impressive new optical efficiencies. Superior optical efficiencies drives a more powerful light solution that as a whole outperforms all competition in terms of lumen output, uniformity and fixture efficacy. These luminaires are available in a white color temperature range of 2700K – 4100K and offer features such as Air Tight Option, Flicker-Free Dimming and compatibility with 3rd party controllers. solia™ downlights can be used for residential and commercial applications.

Product Description:

4" round recessed solid-state LED downlight available with a New Construction Frame or Remodel Frame

Product Specifications

- Primary Optic - Sealed solid optics to block dust and debris enabled by patented Constructive Occlusion™ technology
- Reflector Finishes - Toolless Installation Downlight optic available in Specular, Semi-Specular, Matte-diffuse
-Wall- Washer Optic available
- Reflector Colors -Black, Clear, Gold, Pewter, Wheat and White
- Reflector Dim. - 4-1/4" Aperture diameter (Flange Width: 3/16"); Ceiling Cutout 4-7/8"
- Light Source -15 High Brightness White LEDs
- Trim - Paintable white plastic: 5-1/4" dia (Flange Width: 5/16")
- Trimless - Plaster ring for gypsum construction
- Housing - Die cast Aluminum ; Required Ceiling Clearance Height: 5-1/2"
- Mounting Frame - 22Ga galvanized steel; for ceilings from 1/2" to 1 1/2" thick
- Junction Box - 18Ga Galvanized steel. Four combination 1/2"-3/4" knockouts

Performance Specifications

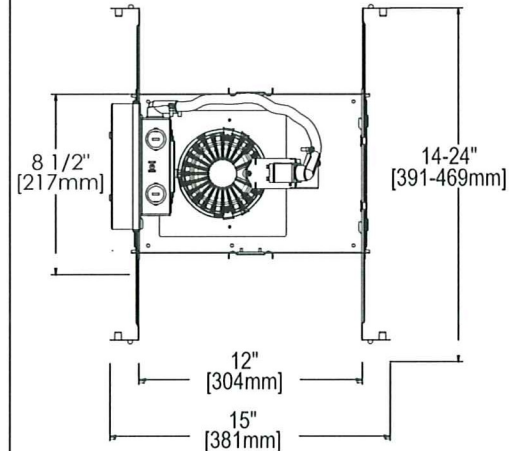
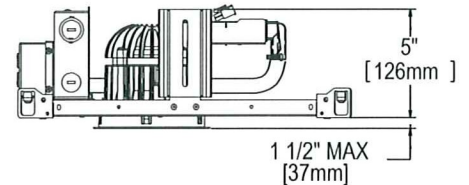
- CCT - 2700K, 3000K, 3500K, 4100K
- CRI - 85*
- Wattage - 12*
- *Nominal Values - for actual data see photometrics (per IESNA LM79-2008)
- Power Input - Universal Power Supply 120V-277V; 50-60Hz
- Operating Temp. - 13°F to 122°F (-25°C to 50°C)
- Storage Temp. - 40°F to 182°F (-40°C to 85°C)
- LED Rated Life - 50,000 hour L70 lifetime when installed in an ambient space of 30°C (86°F)**
**(Lifetime claims are based on LED IESNA LM80-2008 Information)
- Warranty - 3 -Year Limited Warranty
- Certifications - Tested to UL1598;Wet Location Under Covered Ceiling; OK; Airtight; ENERGY STAR®

Control Specifications

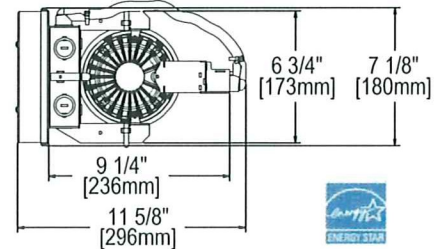
- Control - Electronic Low Voltage (ELV) Dimmer, Third Party Control (Sensors, Timers)
- Dimming - Flicker-Free Constant Current Reduction (CCR) from 10-100% via Electronic Low Voltage dimmers (120V Only)



new construction frame



remodel frame



Catalog Number Configuration

Example: 4DR4 35/06 4AR 120 COD

Series	CCT	Lumens	Aperture/Trim	Finish	Voltage	Driver	Power Supply	Options
4DR4 4" Round	27 2700K	06 600 lumens	4 AR Clear	(blank) Semi-Specular	120	COD Constant Output Driver	(blank) 220mA drive current	REMF Remodel Mounting Frame
4DR4W 4" Round Wallwash	30 3000K		GR Gold	LD Matte-diffuse	240	LVD Electronic Low Voltage Dimming ²	MCD 250mA drive current	AT Airtight
	35 3500K		PR Pewter	LS Specular	277	010V 0-10V Dimming		ELR Emergency Battery Pack
	41 4100K		WTR Wheat					w/remote test switch ³
			WR ^{1,4} White					
			BR ¹ Black					

NOTES:
 1 Not available with finishes
 2 120V Only
 3 Not available with REMF
 4 Not available with 4DR4W

4DR4

©2008, 2009 Acuity Brands Lighting, Inc. All Rights Reserved.
Rev 10/10

gotham
An Acuity Brands Company

GOTHAM ARCHITECTURAL DOWNLIGHTING
 1400 Lester Road Conyers Georgia 30012
 P 800 315 4982 F 770 860 3129
 www.gothamlighting.com