

***ADDENDUM NO. 1***

***VILLAGE OF BARODA  
FIRST STREET STREETScape PROJECT  
DECEMBER 13, 2010***

Addendum No. 1 to the plans and specifications for the Village of Baroda, First Street Streetscape Project as prepared by Wightman & Associates, Inc. dated November, 2010.

This Addendum No. 1 supplements and modifies the Contract Documents relating to the above referenced project. This Addendum shall be deemed a part of the Contract Documents, and to the extent that the provisions of the other Contract Documents are in conflict herewith, this Addendum shall control.

- A. The detail for the panel enclosure on sheet 090449-11 "Electrical Details" should read "Panel No. 1 Enclosure Elevation". There is only one (1) panel on the project.
- B. Irrigation and Electrical Sleeves - Sleeves for irrigation and electrical work under the sidewalk are to be provided and is included in the irrigation and electrical lump sum items. Sleeves crossing the streets are to be paid for separately.
- C. See attached cut sheets for additional information on light fixtures "a" and "b".
- D. Lighting - The LED system is to utilize a minimum of 36 LEDs which are to be located in the center of the luminaire and away from the outer lens. The resulting effect is a single lamp image that looks very close to a traditional (lamp) source. The "bright dots" effect of an LED light source which has the LEDs close to the outer lens is not acceptable. The fact that the fixtures utilize an LED lamp source plays a secondary role to the overall aesthetic to be achieved for the project.
- E. Lighting manufacturer is to provide 7 yr, 70,000 hr warranty on the luminaire, after which the package emits 70% of its original lumen output. The manufacturer will also provide a 10 yr warranty on the fixture and pole finish.
- F. All light fixtures to have a duplex receptacle at the top.
- G. See attached sheet for receptacle cut sheet. The receptacle box is to extend out of the center hole of the tree grate and inside of the tree guard, to protect it from snow plowing. Receptacle is to be black or bronze, electrical contractor to coordinate color of the receptacle box with the tree grate color.
- H. Please be advised that the Federal Wage Rates have been updated. The new rates should be used for this project. Please see attached for new rates.
- I. The tree specified for the job is a 2" caliper Japanese Lilac. Please provide an alternate bid for a 2" caliper Bowhall Maple. Enclosed please find a revised bid sheet (pages P-3 & P-4), please break down the cost of :
  - a. Syringa Reticulata, Japanese Tree Lilac, Furnished
  - b. Syringa Reticulata, Japanese Tree Lilac, Installed
  - c. Acer rubrum Bowhall, Bowhall Maple, Furnished
  - d. Acer rubrum Bowhall, Bowhall Maple, Installed
- J. Irrigation contractor is responsible for the water tap, shut off valve, meter and meter pit, included in the Lump Sum Irrigation item. Verify meter style and manufacturer with the Village of Baroda prior to ordering.
- K. Fence in parking lot shall be Certainteed Bufftech "New Lexington" 6' tall white vinyl privacy fence or equal with steel reinforced bottom rail.
  - a. The attached bid sheets include a per foot item for this work.
- L. The 9" concrete pavement items for the crosswalks should be 'Reinf', not 'Nonreinf'. Bid sheets reflect this change.
- M. The crosswalk at station +/- 9+50 is to be 9" concrete pavement not 6".

- N. To clarify, Machine Grading, Modified includes any grading associated with the site, including the parking areas along First Street. Aggregate base used in this area will be paid for on a prorated basis. For example, if an area requires 4” of aggregate base, the Contractor will be paid half price for the 8” item. All grading costs should be included in the Machine Grading, Modified item.
- O. To reset the brick pavers near STA 4+00, Class II sand will also be allowed, in addition to aggregate base as called for on the plans. The costs for these materials (sand and/or gravel) are included in the brick paver item, and will not be paid for separately.
- P. The item Sewer, Bulkhead, 12 inch is included in the revised bid sheets. This item is intended for the sewer abandonment in the proposed parking lot at Second Street and Center Street. The 12 inch bulkhead item will be used for all sewers 12 inch in diameter or less. Extra quantity has been added in the event more locations are required during construction.
- Q. The Contractor shall remove concrete sidewalk as close as possible to the building face, without damaging the wall. If a sidewalk joint is located directly adjacent to the wall, it is expected the Contractor will remove the concrete sidewalk to that joint, regardless of method (mechanical or by hand). If a sidewalk joint is not evident at the wall face, the Contractor is expected to sawcut as close as possible to the building. Each location will be determined on a case-by-case basis by the Engineer in the field.
- R. Water main items have been added to the project for the hydrant relocations, specifically near STA 12+50. The hydrants could be relocated to different connection locations entirely; therefore items for the 6” water main, connection, and fittings have been included in the alternate bid section. The item of Hydrant, Relocate, Case 1 still includes standard items to relocate a hydrant from an existing connection point. Project Specifications for the water main items are attached.
- S. The Village reserves the right to award the contract with or without the alternate bid items, whichever is in the best interest of the Village.
- T. The item of HMA Surface, Rem has been adjusted to incorporate the pavement removal associated the proposed concrete crosswalks. This quantity change is incorporated in the attached bid sheet.
- U. The Contractor is required to perform at least 30% of the contract items. By signing this Addendum, the Contractor assures this requirement is met.

The CONTRACTOR hereby acknowledges receipt of this Addendum No. 1 and shall include a signed copy with his bid.

Contractor: \_\_\_\_\_

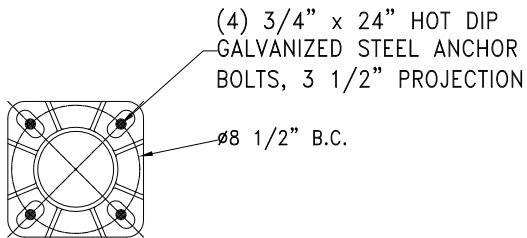
By: \_\_\_\_\_

Title: \_\_\_\_\_

Date: \_\_\_\_\_

# BEACON

PRODUCTS



## BASE FOOTPRINT

BARODA-STREETSCAPE-MI TYPE: B QTY: ( )

CATALOG NO: T3/AC/C3/H3/LED66-G-700mA(4500K)/LSP/BB  
AA-0018/5MTC/BB SHO5/S/14/5M/GFI-IU/TN/BB FLAC/5/BB

ALL CAST ALUMINUM PARTS ARE COPPER FREE ALLOY A356  
ALL EXTRUDED ALUMINUM PARTS ARE ALLOY 6061-T6

LENS: CLEAR ACRYLIC  
OPTICS: TYPE ILED LENSES

LIGHT SOURCE: 66 WATT LED ENGINE AND DRIVERS COMBINATION

VOLTAGE: 120-277 VOLTS Hz: 60

ELECTRICAL OPTIONS: LSP (LIGHTNING SURGE PROTECTOR)  
DUPLX GFI RECEPTACLE WITH IN-USE COVER

FIXTURE SHALL BE NRTL LISTED FOR WET LOCATION  
FASTENERS: ALL FASTENERS ARE STAINLESS STEEL  
(TAMPER RESISTANT OPTIONAL, SPANNER HD (SNAKE EYE) SPECIAL TOOL  
REQUIRED, NOT PROVIDED)

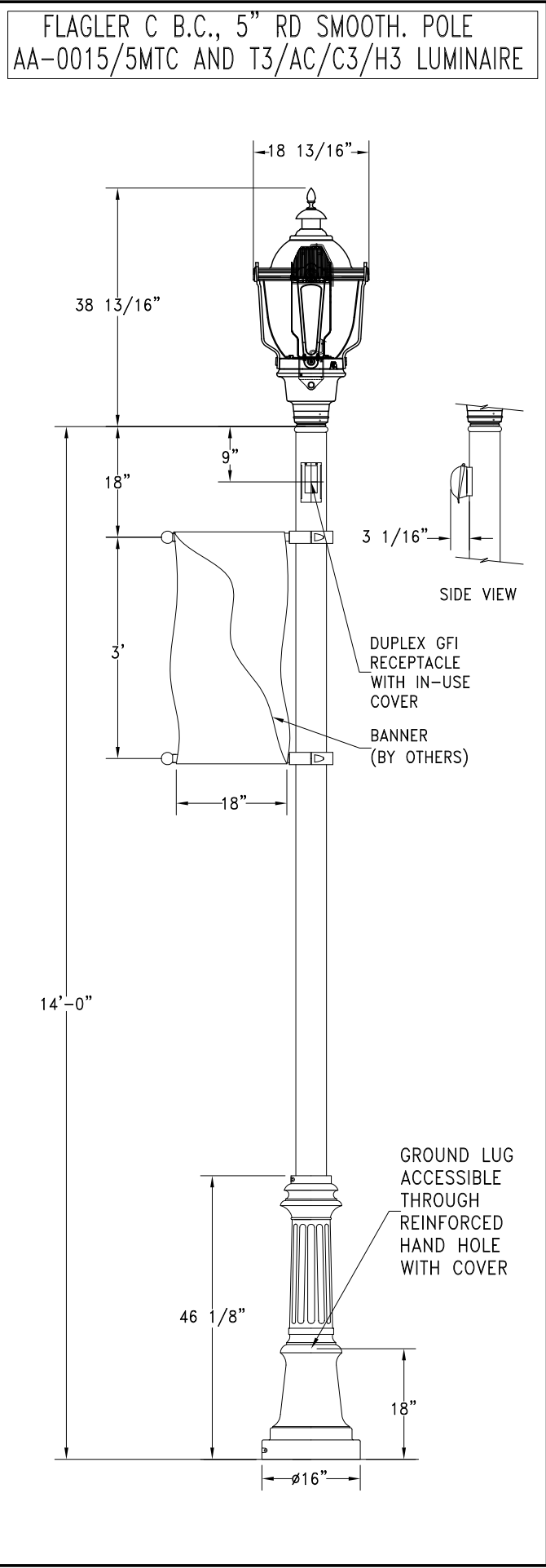
FINISH: BEACOTE V  
POLYESTHER POWDER COAT ELECTROSTATICALLY APPLIED AND THERMOCURED.  
COLOR BASIC BLACK

DRAWING NUMBER: SUBMIT\SUB-0007607 C.H. 07-07-10

APPROVED BY: \_\_\_\_\_  
C.H. C.B.

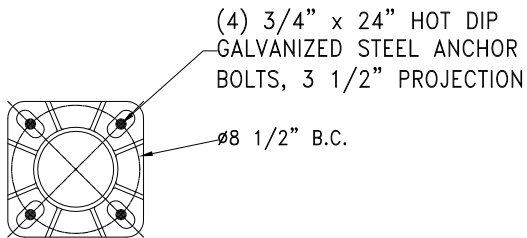
SALES ORDER NUMBER: \_\_\_\_\_  
COMPANY NAME: \_\_\_\_\_  
SPECIFIER NAME: \_\_\_\_\_  
SIGNATURE: \_\_\_\_\_ DATE: \_\_\_\_\_

THIS DRAWING IS THE PROPERTY OF BEACON PRODUCTS LLC. COPYRIGHT IS RESERVED AND THIS DRAWING IS ISSUED ON THE CONDITION THAT IT IS NOT COPIED, REPRODUCED, RETAINED OR DISCLOSED TO ANY UNAUTHORIZED PERSON OR ENTITY, EITHER WHOLLY OR IN PART WITHOUT OUR CONSENT



# BEACON

PRODUCTS



## BASE FOOTPRINT

BARODA-STREETSCAPE-MI TYPE: P QTY: ( )

CATALOG NO: T3/AC/C3/H3/LED66-G-700mA(4500K)/LSP/BB  
AA-0018S-PH/5MTC/BB SH05/S/14/5M/2XIS/TN/BB FLAC/5/BB

ALL CAST ALUMINUM PARTS ARE COPPER FREE ALLOY A356  
ALL EXTRUDED ALUMINUM PARTS ARE ALLOY 6061-T6

LENS: CLEAR ACRYLIC  
OPTICS: TYPE IILED LENSES

LIGHT SOURCE: 66 WATT LED ENGINE AND DRIVERS COMBINATION

VOLTAGE: 120-277 VOLTS Hz: 60

ELECTRICAL OPTIONS: LSP (LIGHTNING SURGE PROTECTOR)

OTHER OPTIONS: TWO SIDES IRRIGATION SYSTEM

FIXTURE SHALL BE NRTL LISTED FOR WET LOCATION  
FASTENERS: ALL FASTENERS ARE STAINLESS STEEL  
(TAMPER RESISTANT OPTIONAL, SPANNER HD (SNAKE EYE) SPECIAL TOOL  
REQUIRED, NOT PROVIDED)

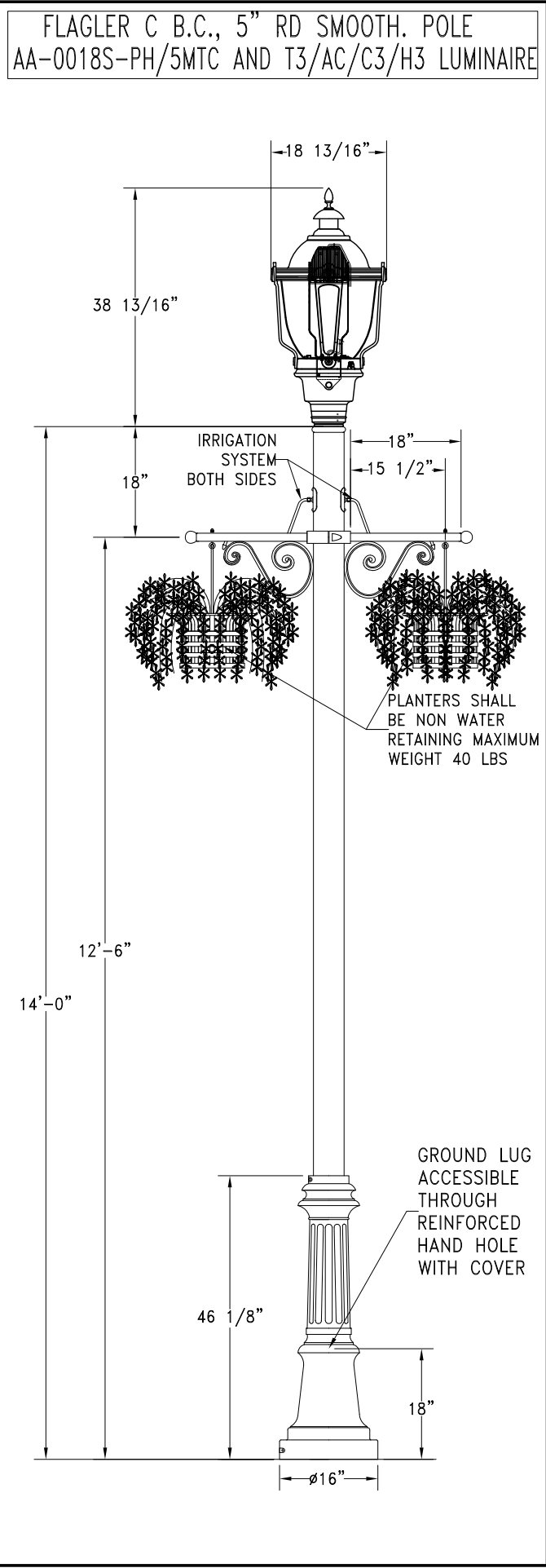
FINISH: BEACOTE V  
POLYESTHER POWDER COAT ELECTROSTATICALLY APPLIED AND THERMOCURED.  
COLOR BASIC BLACK

DRAWING NUMBER: SUBMIT\SUB-0007608 C.H. 07-07-10

APPROVED BY: \_\_\_\_\_  
C.H. C.B.

SALES ORDER NUMBER: \_\_\_\_\_  
COMPANY NAME: \_\_\_\_\_  
SPECIFIER NAME: \_\_\_\_\_  
SIGNATURE: \_\_\_\_\_ DATE: \_\_\_\_\_

THIS DRAWING IS THE PROPERTY OF BEACON PRODUCTS LLC. COPYRIGHT IS RESERVED AND THIS DRAWING IS ISSUED ON THE CONDITION THAT IT IS NOT COPIED, REPRODUCED, RETAINED OR DISCLOSED TO ANY UNAUTHORIZED PERSON OR ENTITY, EITHER WHOLLY OR IN PART WITHOUT OUR CONSENT



Charles R. Wright

From: Saved by Windows Internet Explorer 7  
 Sent: Monday, February 22, 2010 2:06 PM  
 Subject: 19.5" Low-Profile Enclosure with Built-in Cover



sales@aifittings.com  
 800/233-4717 • FAX 570/562-0646

Weatherproof (View All 6.9MB PDF)

Previous Item Next Item

**19.5" Low-Profile Enclosure with Built-in Cover**

For use with a GFCI device. Features clear, weatherproof-in-use cover. UV rated plastic for long outdoor life. Four non-chipping colors.



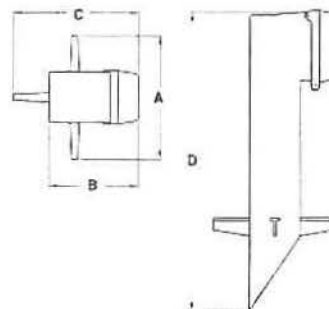
CATALOG NUMBER	UPC/DCI/NAED MFG #01 8997	DESCRIPTION	UNIT PKG	STD PKG	DIM A	DIM B	DIM C	DIM D
GPD19B	77020	Black	1	6	7.761	6.269	8.177	19.500
GPD19BB	77021	Bronze	1	6	7.761	6.269	8.177	19.500
GPD19G	77022	Green	1	6	7.761	6.269	8.177	19.500
GPD19W	77023	White	1	6	7.761	6.269	8.177	19.500

PATENTED. ADDITIONAL PATENTS PENDING.



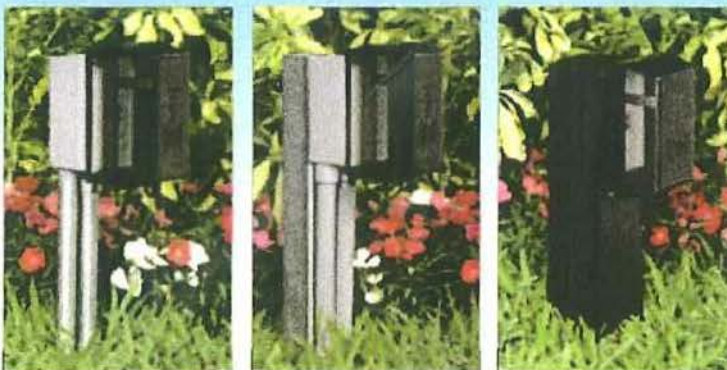
**Features and Benefits**

- Includes clear cover for weatherproof while-in-use, GFCI and duplex wall plates
- Installed cover, no gasket necessary
- Meets NEC box support requirements
- Built-in stabilizers need no assembly and provide rigid support
- Code approved installation
- No chipping...colorant runs throughout the product



COMPETITIVELY PRICED!

**Compare!**



Why Install Boxes This Way...

When You Can Have a Great Looking, Long-Lasting Job Like This!

**Comes with...**  
 Built-in weatherproof-while-in-use cover, standard duplex & GFCI cover plates, and removable KO plate.

Home | Contents | Product Index | What's New  
 Samples | Local Reps | Contact Us

Copyright © 2008. Arlington Industries. All rights reserved.

General Decision Number: MI100007 12/03/2010 MI7

Superseded General Decision Number: MI20080007

State: Michigan

Construction Types: Highway (Highway, Airport & Bridge xxxxx  
and Sewer/Incid. to Hwy.)

Counties: Michigan Statewide.

Modification Number	Publication Date
0	03/12/2010
1	03/19/2010
2	04/16/2010
3	05/07/2010
4	06/04/2010
5	06/18/2010
6	07/02/2010
7	08/06/2010
8	08/13/2010
9	09/03/2010
10	09/24/2010
11	11/05/2010
12	11/19/2010
13	12/03/2010

CARP0004-004 06/01/2010

LIVINGSTON (Townships of Brighton, Deerfield, Genoa, Hartland,  
Osceola and Tyrone) & SANILAC COUNTIES:

	Rates	Fringes
CARPENTER ( Piledriver).....	\$ 29.065	20.102

-----  
CARP0004-005 06/01/2010

MACOMB, MONROE, OAKLAND, ST. CLAIR AND WAYNE COUNTIES:

	Rates	Fringes
CARPENTER (Piledriver).....	\$ 29.41	20.256

-----  
\* ELEC0017-005 06/07/2010

HURON COUNTY; INGHAM COUNTY (Townships of Leroy, Locke,  
Wheatfield, White Oak and Williamson); LAPEER COUNTY; LENAWEE  
COUNTY (Townships of Clinton and Macon); LIVINGSTON COUNTY  
(Townships of Brighton, Conway, Genoa, Green Oak, Hamburg,  
Handy, Hartland, Howell, Iosco, Marion, Oceola and Putnam);  
MACOMB COUNTY; MONROE COUNTY (Townships of Ash, Berlin, Dundee,  
Exeter, Frenchtown, Ida, London, Milan, Monroe, Raisinville and  
Summerfield); OAKLAND, ST. CLAIR, SANILAC AND TUSCOLA COUNTIES;  
WASHTENAW COUNTY (Townships of Ann Arbor, Augusta, Bridgewater,  
Dexter, Freedom, Lima, Lodi, Northfield, Pittsfield, Salem,  
Saline, Scio, Superior, Webster, York and Ypsilanti); AND WAYNE  
COUNTY:

	Rates	Fringes
Line Construction		
Groundman/Driver.....	\$ 25.07	11.26
Journeyman Signal Tech.....	\$ 34.05	13.57
Journeyman Specialist.....	\$ 39.16	14.88
Operator A.....	\$ 28.84	12.23
Operator B.....	\$ 26.94	11.74

#### Classifications

Journeyman Specialist: Refers to a crew of only one person working alone.

Operator A: Shall be proficient in operating all power equipment including: Backhoe, Excavator, Directional Bore and Boom/Digger truck.

Operator B: Shall be proficient in operating any 2 of the above mentioned pieces of equipment listed under Operator A.

-----  
ELEC0876-001 06/07/2010

	Rates	Fringes
LINE CONSTRUCTION		
Cable Splicer.....	\$ 36.09	14.04
Light Equipment Operator/Groundman/Truck Driver/Groundman (winch, A frame, diggers when used for distribution line truck and used for distribution work, distribution truck driver, 5th wheel type trucks, bucket trucks, ladder trucks and all live boom trucks, all equipment 85 hp or under).....	\$ 22.83	10.62
Lineman/Line Technician.....	\$ 34.66	13.68
Operator/Groundman (digger, tractor and setting rig with tracks or rough terrain vehicle, large bombardier, backhoe over 85 hp, hydraulic crane 10 ton or over).....	\$ 26.06	11.46
Truck Driver/Groundman (trucks with winch or boom or dump, other than distribution work).....	\$ 21.74	10.34

FOOTNOTE: Operators of 5/8 yard, rated capacity, backhoe or over; and operators of 25 ton, rated capacity, crane or over; and operators of heavy duty tension or pulling machinery on 345 KV and above: to receive the journeyman line technician rate of pay.

-----

ENGI0324-003 09/01/2010

ALCONA, ALPENA, ARENAC, BAY, CHEBOYGAN, CLARE, CLINTON,  
 CRAWFORD, GENESEE, GLADWIN, GRATIOT, HURON, INGHAM, IOSCO,  
 ISABELLA, JACKSON, LAPEER, LENAWEE, LIVINGSTON, MACOMB,  
 MIDLAND, MONROE, MONTMORENCY, OAKLAND, OGEMAW, OSCODA, OTSEGO,  
 PRESQUE ISLE, ROSCOMMON, SAGINAW, ST. CLAIR, SANILAC,  
 SHIAWASSEE, TUSCOLA, WASHTENAW AND WAYNE COUNTIES:

	Rates	Fringes
OPERATOR: Power Equipment (Steel Erection)		
GROUP 1.....	\$ 42.37	18.45
GROUP 2.....	\$ 43.37	18.45
GROUP 3.....	\$ 40.87	18.45
GROUP 4.....	\$ 41.87	18.45
GROUP 5.....	\$ 39.37	18.45
GROUP 6.....	\$ 40.37	18.45
GROUP 7.....	\$ 39.10	18.45
GROUP 8.....	\$ 40.10	18.45
GROUP 9.....	\$ 38.65	18.45
GROUP 10.....	\$ 39.65	18.45
GROUP 11.....	\$ 37.92	18.45
GROUP 12.....	\$ 38.92	18.45
GROUP 13.....	\$ 37.56	18.45
GROUP 14.....	\$ 38.56	18.45
GROUP 15.....	\$ 36.92	18.45
GROUP 16.....	\$ 30.11	18.45
GROUP 17.....	\$ 28.70	18.45
GROUP 18.....	\$ 35.67	18.45

## FOOTNOTE:

Paid Holidays: New Year's Day, Memorial Day, Fourth of July,  
 Labor Day, Thanksgiving Day and Christmas Day.

## POWER EQUIPMENT OPERATOR CLASSIFICATIONS

GROUP 1: Engineer when operating combination of boom and jib  
 400' or longer

GROUP 2: Engineer when operating combination of boom and jib  
 400' or longer on a crane that requires an oiler

GROUP 3: Engineer when operating combination of boom and jib  
 300' or longer

GROUP 4: Engineer when operating combination of boom and jib  
 300' or longer on a crane that requires an oiler

GROUP 5: Engineer when operating combination of boom and jib  
 220' or longer

GROUP 6: Engineer when operating combination of boom and jib  
 220' or longer on a crane that requires an oiler

GROUP 7: Engineer when operating combination of boom and jib  
 140' or longer

GROUP 8: Engineer when operating combination of boom and jib 140' or longer on a crane that requires an oiler

GROUP 9: Tower crane & derrick operator (where operator's work station is 50 ft. or more above first sub-level)

GROUP 10: Tower crane & derrick operator (where operator's work station is 50 ft. or more above first sub-level) on a crane that requires an oiler

GROUP 11: Engineer when operating combination of boom and jib 120' or longer

GROUP 12: Engineer when operating combination of boom and jib 120' or longer on a crane that requires an oiler

GROUP 13: Crane operator; job mechanic and 3 drum hoist and excavator

GROUP 14: Crane operator on a crane that requires an oiler

GROUP 15: Hoisting operator; 2 drum hoist and rubber tired backhoe

GROUP 16: Compressor or welder operator

GROUP 17: Oiler

GROUP 18: Forklift and 1 drum hoist

-----  
 ENGI0324-004 05/01/2010

AREA 1: ALLEGAN, BARRY, BERRIEN, BRANCH, CALHOUN, CASS, EATON, HILLSDALE, IONIA, KALAMAZOO, KENT, LAKE, MANISTEE, MASON, MECOSTA, MONTCALM, MUSKEGON, NEWAYGO, OCEANA, OSCEOLA, OTTAWA, ST. JOSEPH, VAN BUREN

AREA 2: ANTRIM, BENZIE, CHARLEVOIX, EMMET, GRAND TRAVERSE, KALKASKA, LEELANAU, MISSAUKEE AND WEXFORD COUNTIES:

	Rates	Fringes
OPERATOR: Power Equipment		
(Steel Erection)		
AREA 1		
GROUP 1.....	\$ 28.74	18.90
GROUP 2.....	\$ 28.49	18.90
GROUP 3.....	\$ 27.99	18.90
GROUP 4.....	\$ 22.89	18.90
GROUP 5.....	\$ 21.24	18.90
GROUP 6.....	\$ 18.64	18.90
AREA 2		
GROUP 1.....	\$ 28.74	18.90
GROUP 2.....	\$ 28.49	18.90
GROUP 3.....	\$ 27.49	18.90
GROUP 4.....	\$ 22.59	18.90
GROUP 5.....	\$ 20.94	18.90
GROUP 6.....	\$ 18.14	18.90

## FOOTNOTES:

Crane operator with main boom and jib 300' or longer: \$1.50 additional to the group 1 rate. Crane operator with main boom and jib 400' or longer: \$3.00 additional to the group 1 rate.

## Certified Crane Operator Premiums:

- a) Swing Boom Truck Operator over 12 tons-\$.50 per hour
- b) Hydraulic Crane Operator 75 tons and under-\$.75 per hour
- c) Hydraulic Crane Operator over 75 tons-\$1.00 per hour
- d) Lattice Boom Crane Operator-\$1.50 per hour

PAID HOLIDAYS: New Year's Day, Memorial Day, Fourth of July, Labor Day, Thanksgiving Day and Christmas Day.

## POWER EQUIPMENT OPERATOR CLASSIFICATIONS:

GROUP 1: Crane Operator with main boom & jib 400', 300', or 220' or longer. Tower Crane Operator with CCO certification for combined length of mast and boom 220' or longer.

GROUP 2: Crane Operator with main boom & jib 140' or longer, Tower Crane(Operators without CCO certification, or less than 220' length) Gantry Crane; Whirley Derrick.

GROUP 3: Regular Equipment Operator, Crane, Dozer, Loader, Hoist, Straddle Wagon, Mechanic, Grader and Hydro Excavator.

GROUP 4: Air Tugger (single drum), Material Hoist Pump 6" or over, Elevators, Brokk Concrete Breaker.

GROUP 5: Air Compressor, Welder, Generators, Conveyors

GROUP 6: Oiler and fire tender

-----  
ENGI0324-005 09/01/2010

AREA 1: GENESEE, LAPEER, LIVINGSTON, MACOMB, MONROE, OAKLAND, ST. CLAIR, WASHTENAW AND WAYNE COUNTIES

AREA 2: ALCONA, ALLEGAN, ALPENA, ANTRIM, ARENAC, BARRY, BAY, BENZIE, BERRIEN, BRANCH, CALHOUN, CASS, CHARLEVOIX, CHEBOYGAN, CLARE, CLINTON, CRAWFORD, EATON, EMMET, GLADWIN, GRAND TRAVERSE, GRATIOT, HILLSDALE, HURON, INGHAM, IONIA, IOSCO, ISABELLA, JACKSON, KALAMAZOO, KALKASKA, KENT, LAKE, LEELANAU, LENAWEE, MANISTEE, MASON, MECOSTA, MIDLAND, MISSAUKEE, MONTCALM, MONTMORENCY, MUSKEGON, NEWAYGO, OCEANA, OGEMAW, OSCEOLA, OSCODA, OTSEGO, OTTAWA, PRESQUE ISLE, ROSCOMMON, SAGINAW, SANILAC, SHIAWASSEE, ST. JOSEPH, TUSCOLA, VAN BUREN AND WEXFORD COUNTIES

Rates

Fringes

OPERATOR: Power Equipment  
(Undrground construction  
(including sewer)

AREA 1:		
GROUP 1.....	\$ 29.28	18.95
GROUP 2.....	\$ 24.55	18.95
GROUP 3.....	\$ 23.82	18.95
GROUP 4.....	\$ 23.25	18.95
AREA 2:		
GROUP 1.....	\$ 27.57	18.95
GROUP 2.....	\$ 22.68	18.95
GROUP 3.....	\$ 22.18	18.95
GROUP 4.....	\$ 21.90	18.95

#### POWER EQUIPMENT OPERATOR CLASSIFICATIONS

GROUP 1: Backfiller tamper; Backhoe; Batch plant operator (concrete); Clamshell; Concrete paver (2 drums or larger); Conveyor loader (Euclid type); Crane (crawler, truck type or pile driving); Dozer; Dragline; Elevating grader; Endloader; Gradall (and similar type machine); Grader; Mechanic; Power shovel; Roller (asphalt); Scraper (self-propelled or tractor drawn); Side boom tractor (type D-4 or equivalent and larger); Slip form paver; Slope paver; Trencher (over 8 ft. digging capacity); Well drilling rig; Concrete pump with boom operator; Hydro Excavator

GROUP 2: Boom truck (power swing type boom); Crusher; Hoist; Pump (1 or more - 6-in. discharge or larger - gas or diesel- powered or powered by generator of 300 amperes or more - inclusive of generator); Side boom tractor (smaller than type D-4 or equivalent); Tractor (pneu-tired, other than backhoe or front end loader); Trencher (8-ft. digging capacity and smaller); Vac Truck

GROUP 3: Air compressors (600 cfm or larger); Air compressors (2 or more-less than 600 cfm); Boom truck (non-swinging, non- powered type boom); Concrete breaker (self-propelled or truck mounted - includes compressor); Concrete paver (1 drum-1/2 yd. or larger); Elevator (other than passenger); Maintenance person; Pump (2 or more-4-in. up to 6-in. discharge-gas or diesel powered - excluding submersible pumps); Pumpcrete machine (and similar equipment); Wagon drill (multiple); Welding machine or generator (2 or more-300 amp. or larger - gas or diesel powered)

GROUP 4: Boiler; Concrete saw (40 hp or over); Curing machine (self-propelled); Farm tractor (with attachment); Finishing machine (concrete); Fire person; Hydraulic pipe pushing machine; Mulching equipment; Oiler; Pumps (2 or more up to 4-in. discharge, if used 3 hours or more a day, gas or diesel powered - excluding submersible pumps); Roller (other than asphalt); Stump remover; Trencher (service); Vibrating compaction equipment, self-propelled (6 ft. wide or over); End dump operator; Sweeper (Wayne type); Water wagon and Extend-a boom forklift

---

ENGI0324-006 06/01/2010

AREA 1: GENESEE, MACOMB, MONROE, OAKLAND, WASHTENAW AND WAYNE COUNTIES

AREA 2: ALCONA, ALGER, ALLEGAN, ALPENA, ANTRIM, ARENAC, BARAGA,

BARRY, BAY, BENZIE, BERRIEN, BRANCH, CALHOUN, CASS, CHARLEVOIX,  
 CHEBOYGAN, CHIPPEWA, CLARE, CLINTON, CRAWFORD, DELTA,  
 DICKINSON, EATON, EMMET, GLADWIN, GOGEBIC, GRAND TRAVERSE,  
 GRATIOT, HILLSDALE, HOUGHTON, HURON, INGHAM, IONIA, IOSCO,  
 IRON, ISABELLA, JACKSON, KALAMAZOO, KALKASKA, KENT, KEWEENAW,  
 LAKE, LAPEER, LEELANAU, LENAWEE, LIVINGSTON, LUCE, MACKINAC,  
 MANISTEE, MARQUETTE, MASON, MECOSTA, MENOMINEE, MIDLAND,  
 MISSAUKEE, MONTCALM, MONTMORENCY, MUSKEGON, NEWAYGO, OCEANA,  
 OGEMAW, ONTONAGON, OSCEOLA, OSCODA, OTSEGO, OTTAWA, PRESQUE  
 ISLE, ROSCOMMON, SAGINAW, ST. CLARE, ST. JOSEPH, SANILAC,  
 SCHOOLCRAFT, SHIAWASSEE, TUSCOLA, VAN BUREN AND WEXFORD COUNTIES

	Rates	Fringes
Power equipment operators: (AIRPORT, BRIDGE & HIGHWAY CONSTRUCTION)		
AREA 1		
GROUP 1.....	\$ 28.01	18.95
GROUP 2.....	\$ 21.28	18.95
GROUP 3.....	\$ 22.58	18.95
GROUP 4.....	\$ 20.72	18.95
GROUP 5.....	\$ 20.55	18.95
AREA 2		
GROUP 1.....	\$ 28.01	18.95
GROUP 2.....	\$ 21.13	18.95
GROUP 3.....	\$ 22.43	18.95
GROUP 4.....	\$ 20.57	18.95
GROUP 5.....	\$ 20.25	18.95

FOOTNOTE:

Certified Crane Operator (working on a bridge project)  
 premiums: Swing boom truck operator over 12 tons: \$.50 per  
 hour additional. Hydraulic crane operator 75 tons and  
 under: \$.75 per hour additional. Hydraulic crane operator  
 over 75 tons: \$1.00 per hour additional. Lattice boom crane  
 operator: \$1.50 per hour additional.

POWER EQUIPMENT OPERATOR CLASSIFICATIONS

GROUP 1: Asphalt plant operator; Crane operator (does not  
 include work on bridge construction projects when the crane  
 operator is erecting structural components); Dragline  
 operator; Shovel operator; Locomotive operator; Paver  
 operator (5 bags or more); Elevating grader operator; Pile  
 driving operator; Roller operator (asphalt); Blade grader  
 operator; Trenching machine operator (ladder or wheel  
 type); Auto-grader; Slip form paver; Self-propelled or  
 tractor-drawn scraper; Conveyor loader operator (Euclid  
 type); Endloader operator (1 yd. capacity and over);  
 Bulldozer; Hoisting engineer; Tractor operator; Finishing  
 machine operator (asphalt); Mechanic; Pump operator (6-in.  
 discharge or over, gas, diesel powered or generator of 300  
 amp. or larger); Shouldering or gravel distributing machine  
 operator (self- propelled); Backhoe (with over 3/8 yd.  
 bucket); Side boom tractor (type D-4 or equivalent or  
 larger); Tube finisher (slip form paving); Gradall (and  
 similar type machine); Asphalt paver (self- propelled);

Asphalt planer (self-propelled); Batch plant (concrete-central mix); Slurry machine (asphalt); Concrete pump (3 in. and over); Roto-mill; Swinging boom truck (over 12 ton capacity); Hydro demolisher (water blaster); Farm-type tractor with attached pan

GROUP 2: Screening plant operator; Washing plant operator; Crusher operator; Backhoe (with 3/8 yd. bucket or less); Side boom tractor (smaller than D-4 type or equivalent); Sweeper (Wayne type and similar equipment); Vacuum truck operator; Batch plant (concrete dry batch)

GROUP 3: Grease Truck

GROUP 4: Air compressor operator (600 cu. ft. per min or more); Air compressor operator (two or more, less than 600 cfm); Wagon drill operator; Concrete breaker; Tractor operator (farm type with attachment)

GROUP 5: Boiler fire tender; Oiler; Fire tender; Trencher (service); Flexplane operator; Cleftplane operator; Grader operator (self-propelled fine-grade or form (concrete)); Finishing machine operator (concrete); Boom or winch hoist truck operator; Endloader operator (under 1 yd. capacity); Roller operator (other than asphalt); Curing equipment operator (self-propelled); Concrete saw operator (40 h.p. or over); Power bin operator; Plant drier operator (asphalt); Vibratory compaction equipment operator (6 ft. wide or over); Guard post driver operator (power driven); All mulching equipment; Stump remover; Concrete pump (under 3-in.); Mesh installer (self-propelled); Tractor operator (farm type); End dump; Skid steer

-----  
 ENGI0324-007 05/01/2010

ALGER, BARAGA, CHIPPEWA, DELTA, DICKINSON, GOGEBIC, HOUGHTON, IRON, KEWEENAW, LUCE, MACKINAC MARQUETTE, MENOMINEE, ONTONAGON AND SCHOOLCRAFT COUNTIES:

	Rates	Fringes
OPERATOR: Power Equipment (Steel Erection)		
Compressor, welder and forklift.....	\$ 23.43	18.65
Crane operator, main boom & jib 120' or longer.....	\$ 27.18	18.65
Crane operator, main boom & jib 140' or longer.....	\$ 27.43	18.65
Crane operator, main boom & jib 220' or longer.....	\$ 27.68	18.65
Mechanic with truck and tools.....	\$ 28.18	18.65
Oiler and fireman.....	\$ 22.13	18.65
Regular operator.....	\$ 26.68	18.65

PREMIUM RATES:

A. Swing boom truck operator over 15 tons-\$.50 per hour.

- B. Hydraulic crane operator 75 tons and under-\$.75 per hour.
- C. Hydraulic crane operator over 75 tons-\$1.00 per hour.
- D. Lattice boom crane operator-\$1.50 per hour.

-----  
 ENGI0324-008 10/01/2009

ALCONA, ALGER, ALLEGAN, ALPENA, ANTRIM, ARENAC, BARAGA, BARRY, BAY, BENZIE, BERRIEN, BRANCH, CALHOUN, CASS, CHARLEVOIX, CHEBOYGAN, CHIPPEWA, CLARE, CLINTON, CRAWFORD, DELTA, DICKINSON, EATON, EMMET, GENESEE, GLADWIN, GOGEBIC, GRAND TRAVERSE, GRATIOT, HILLSDALE, HOUGHTON, HURON, INGHAM, IONIA, IOSCO, IRON, ISABELLA, JACKSON, KALAMAZOO, KALKASKA, KENT, KEWEENAW, LAKE, LAPEER, LEELANAU, LENAWEE, LIVINGSTON, LUCE, MACKINAC, MACOMB, MANISTEE, MARQUETTE, MASON, MECOSTA, MENOMINEE, MIDLAND, MISSAUKEE, MONTCALM, MONTMORENCY, MONROE, MUSKEGON, NEWAYGO, OAKLAND, OCEANA, OGEMAW, ONTONAGON, OSCEOLA, OSCODA, OTSEGO, OTTAWA, PRESQUE ISLE, ROSCOMMON, SAGINAW, ST. CLARE, ST. JOSEPH, SANILAC, SCHOOLCRAFT, SHIAWASSEE, TUSCOLA, VAN BUREN, WASHTENAW, WAYNE AND WEXFORD COUNTIES

	Rates	Fringes
OPERATOR: Power Equipment (Sewer Relining)		
GROUP 1.....	\$ 28.65	11.64
GROUP 2.....	\$ 27.12	11.64

SEWER RELINING CLASSIFICATIONS

GROUP 1: Operation of audio-visual closed circuit TV system, including remote in-ground cutter and other equipment used in connection with the CCTV system

GROUP 2: Operation of hot water heaters and circulation systems, water jettors and vacuum and mechanical debris removal systems

-----  
 ENGI0325-010 05/01/2010

ALGER, BARAGA, CHIPPEWA, DELTA, DICKINSON, GOGEBIC, HOUGHTON, IRON, KEWEENAW, LUCE, MACKINAC, MARQUETTE, MENOMINEE, ONTONAGON AND SCHOOLCRAFT COUNTIES:

	Rates	Fringes
OPERATOR: Power Equipment (Underground Construction)		
Crane operator, main boom & jib 120' or longer.....	\$ 26.78	18.65
Crane operator, main boom & jib 140' or longer.....	\$ 27.03	18.65
Crane operator, main boom & jib 220' or longer.....	\$ 27.28	18.65
GROUP 1.....	\$ 26.28	18.65
GROUP 2.....	\$ 23.03	18.65
GROUP 3.....	\$ 22.45	18.65
GROUP 4.....	\$ 21.51	18.65
Mechanic with truck and		

tools.....\$ 27.78 18.65

FOOTNOTES: Swing boom truck operator over 15 tons: \$.50 per hour additional. Hydraulic crane operator 75 tons and under: \$.75 per hour additional. Hydraulic crane operator over 75 tons: \$1.00 per hour additional. Lattice boom crane operator: \$1.50 per hour additional. Crusher pit, shafts and tunnel workers: \$2.00 per hour additional.

POWER EQUIPMENT OPERATOR CLASSIFICATIONS

GROUP 1: Regular equipment operator, crane, dozer, front end loader, job mechanic, pumpcrete and squeezecrete, concrete pump, excavator, milling and pulverizing machines, scraper (self-propelled and tractor drawn), welder

GROUP 2: Air track drill, boom truck (non-swing), concrete mixer, material hoist and tugger, pump 6" and over, beltcrete, sweeping machine, trencher, winches, well points and freeze systems

GROUP 3: Air compressor, conveyor, concrete saw, farm tractor (without attachments), fork truck, generator, guard post driver, mulching machine, pumps under 6-in., welding machine and grease person

GROUP 4: Oiler, fire tender, heater operator, brock concrete breaker, elevators (other than passenger), end dumps and skid steer

Crane Operator with main boom and jib 300' or longer shall be paid an additional one dollar and fifty cents (\$1.50) per hour above the 220' of boom and jib wage rate.

Crane Operator with main boom and jib 400' or longer shall be paid an additional one dollar and fifty cents (\$1.50) per hour above the 300 foot of boom wage rate (\$3.00)

-----  
ENGI0325-011 10/01/2009

AREA 1: GENESEE, LAPEER, LIVINGSTON, MACOMB, MONROE, OAKLAND, ST. CLAIR, WASHTENAW AND WAYNE COUNTIES

AREA 2: ALCONA, ALGER, ALLEGAN, ALPENA, ANTRIM, ARENAC, BARAGA, BARRY, BAY, BENZIE, BERRIEN, BRANCH, CALHOUN, CASS, CHARLEVOIX, CHEBOYGAN, CHIPPEWA, CLARE, CLINTON, CRAWFORD, DELTA, DICKINSON, EATON, EMMET, GLADWIN, GOGEBIC, GRAND TRAVERSE, GRATIOT, HILLSDALE, HOUGHTON, HURON, INGHAM, IONIA, IOSCO, IRON, ISABELLA, JACKSON, KALAMAZOO, KALKASKA, KENT, KEWEENAW, LAKE, LEELANAU, LENAWEE, LUCE, MACKINAC, MANISTEE, MARQUETTE, MASON, MECOSTA, MENOMINEE, MIDLAND, MISSAUKEE, MONTCALM, MONTMORENCY, MUSKEGON, NEWAYGO, OCEANA, OGEMAW, ONTONAGON, OSCEOLA, OSCODA, OTSEGO, OTTAWA, PRESQUE ISLE, ROSCOMMON, SAGINAW, ST. JOSEPH, SANILAC, SCHOOLCRAFT, SHIAWASSEE, TUSCOLA, VAN BUREN AND WEXFORD COUNTIES

Rates Fringes

Power equipment operators -  
hazardous waste removal:  
(AREA 1)

AREA 1: LEVEL A

Engineer when operating crane with boom and jib or leads 140' or longer....\$	34.48	17.80
Engineer when operating crane with boom and jib or leads 220' or longer....\$	34.78	17.80
GROUP 1.....\$	31.83	17.80
GROUP 2.....\$	27.60	17.80
Regular crane operator, mechanic, dragline operator, boom truck operator and concrete pump with boom operator,.....\$	32.80	17.80

AREA 1: LEVEL B AND C

Engineer when operating crane with boom and jib or leads 140' or longer....\$	33.53	17.80
Engineer when operating crane with boom and jib or leads 220' or longer....\$	33.83	17.80
GROUP 1.....\$	30.88	17.80
GROUP 2.....\$	26.65	17.80
Regular crane operator, mechanic, dragline operator, boom truck operator and concrete pump with boom operator,.....\$	31.85	17.80

AREA 1: LEVEL D WHEN

CAPPING LANDFILL

Engineer when operating crane with boom and jib or leads 140' or longer....\$	31.98	17.80
Engineer when operating crane with boom and jib or leads 220' or longer....\$	32.28	17.80
GROUP 1.....\$	29.33	17.80
GROUP 2.....\$	25.10	17.80
Regular crane operator, mechanic, dragline operator, boom truck operator and concrete pump with boom operator,.....\$	29.68	17.80

AREA 1: LEVEL D

Engineer when operating crane with boom and jib or leads 140' or longer....\$	32.23	17.80
Engineer when operating crane with boom and jib or leads 220' or longer....\$	32.53	17.80
GROUP 1.....\$	29.58	17.80
GROUP 2.....\$	25.35	17.80
Regular crane operator, mechanic, dragline		

operator, boom truck operator and concrete pump with boom operator, power shovel operator.....\$ 30.55	17.80
Power equipment operators - hazardous waste removal: (AREA 2)	
AREA 2: LEVELS B AND C Regular crane operator, mechanic, dragline operator, boom truck operator and concrete pump with boom operator, power shovel operator.....\$ 30.14	17.80
AREA 2: LEVEL A Engineer when operating crane with boom and jib or leads 140' or longer....\$ 32.77	17.80
Engineer when operating crane with boom and jib or leads 220' or longer....\$ 33.07	17.80
GROUP 1.....\$ 30.12	17.80
GROUP 2.....\$ 25.72	17.80
Regular crane operator, mechanic, dragline operator, boom truck operator and concrete pump with boom operator, power shovel operator.....\$ 31.09	17.80
AREA 2: LEVEL D WHEN CAPPING LANDFILL Engineer when operating crane with boom and jib or leads 140' or longer....\$ 30.27	17.80
Engineer when operating crane with boom and jib or leads 220' or longer....\$ 30.57	17.80
GROUP 1.....\$ 27.62	17.80
GROUP 2.....\$ 23.23	17.80
Regular crane operator, mechanic, dragline operator, boom truck operator and concrete pump with boom operator, power shovel operator.....\$ 28.59	17.80
AREA 2: LEVEL D Engineer when operating crane with boom and jib or leads 140' or longer....\$ 30.52	17.80
Engineer when operating crane with boom and jib or leads 220' or longer....\$ 30.82	17.80
GROUP 1.....\$ 27.87	17.80
GROUP 2.....\$ 23.48	17.80
Regular crane operator, mechanic, dragline operator, boom truck operator and concrete pump with boom operator, power shovel operator.....\$ 28.84	17.80

AREA 2: LEVELS B AND C

Engineer when operating crane with boom and jib or leads 140' or longer....\$ 31.71	17.80
Engineer when operating crane with boom and jib or leads 220' or longer....\$ 32.03	17.80
GROUP 1.....\$ 29.17	17.80
GROUP 2.....\$ 24.78	17.80

HAZARDOUS WASTE REMOVAL CLASSIFICATIONS

Group 1: Backhoe, batch plant operator, clamshell, concrete breaker when attached to hoe, concrete cleaning decontamination machine operator, concrete pump, concrete paver, crusher, dozer, elevating grader, endloader, farm tractor (90 h.p. and higher), gradall, grader, heavy equipment robotics operator, loader, pug mill, pumpcrete machines, pump trucks, roller, scraper (self-propelled or tractor drawn), side boom tractor, slip form paver, slope paver, trencher, ultra high pressure waterjet cutting tool system, vactors, vacuum blasting machine operator, vertical lifting hoist, vibrating compaction equipment (self-propelled), well drilling rig and hydro excavator

GROUP 2: Air compressor, concrete breaker when not attached to hoe, elevator, end dumps, equipment decontamination operator, farm tractor (less than 90 h.p.), forklift, generator, heater, mulcher, pigs (portable reagent storage tanks), power screens, pumps (water), stationary compressed air plant, sweeper, welding machine and water wagon

-----  
ENGI0325-012 05/01/2010

AREA 1: MACOMB, MONROE, OAKLAND, ST. CLAIR, WASHTENAW AND WAYNE COUNTIES

AREA 2: ALCONA, ALGER, ALLEGAN, ALPENA, ANTRIM, ARENAC, BARAGA, BARRY, BAY, BENZIE, BERRIEN, BRANCH, CALHOUN, CASS, CHARLEVOIX, CHEBOYGAN, CHIPPEWA, CLARE, CLINTON, CRAWFORD, DELTA, DICKINSON, EATON, EMMET, GENESEE, GLADWIN, GOGEBIC, GRAND TRAVERSE, GRATIOT, HILLSDALE, HOUGHTON, HURON, INGHAM, IONIA, IOSCO, IRON, ISABELLA, JACKSON, KALAMAZOO, KALKASKA, KENT, KEWEENAW, LAKE, LAPEER, LEELANAU, LENAWEE, LIVINGSTON LUCE, MACKINAC, MANISTEE, MARQUETTE, MASON, MECOSTA, MENOMINEE, MIDLAND, MISSAUKEE, MONTCALM, MONTMORENCY, MUSKEGON, NEWAYGO, OCEANA, OGEMAW, ONTONAGON, OSCEOLA, OSCODA, OTSEGO, OTTAWA, PRESQUE ISLE, ROSCOMMON, SAGINAW, ST. JOSEPH, SANILAC, SCHOOLCRAFT, SHIAWASSEE, TUSCOLA, VAN BUREN AND WEXFORD COUNTIES

Rates                      Fringes

Power equipment operators -  
gas distribution and duct  
installation work:

AREA 1		
GROUP 1.....\$ 25.98		18.90
GROUP 2.....\$ 25.85		18.90
GROUP 3.....\$ 24.72		18.90
GROUP 4.....\$ 24.15		18.90

## AREA 2

GROUP 1.....	\$ 25.07	18.90
GROUP 2-A.....	\$ 24.97	18.90
GROUP 2-B.....	\$ 24.75	18.90
GROUP 3.....	\$ 23.97	18.90
GROUP 4.....	\$ 23.47	18.90

SCOPE OF WORK: The construction, installation, treating and reconditioning of pipelines transporting gas vapors within cities, towns, subdivisions, suburban areas, or within private property boundaries, up to and including private meter settings of private industrial, governmental or other premises, more commonly referred to as "distribution work," starting from the first metering station, connection, similar or related facility, of the main or cross country pipeline and including duct installation.

## AREA 1:

GROUP 1: Backhoe, crane, grader, mechanic, dozer (D-6 equivalent or larger), side boom (D-4 equivalent or larger), trencher(except service), endloader (2 yd. capacity or greater).

GROUP 2: Dozer (less than D-6 equivalent), endloader (under 2 yd. capacity), side boom (under D-4 capacity), backfiller, pumps (1 or 2 of 6-inch discharge or greater), boom truck (with powered boom), tractor (wheel type other than backhoe or front endloader).

GROUP 3: Tamper (self-propelled), boom truck (with non-powered boom), concrete saw (20 hp or larger), pumps (2 to 4 under 6-inch discharge), compressor (2 or more or when one is used continuously into the second day) and trencher(service).

GROUP 4: Oiler, hydraulic pipe pushing machine, grease person and hydrostatic testing operator.

## AREA 2:

GROUP 1: Mechanic, crane (over 1/2 yd. capacity), backhoe (over 1/2 yd. capacity), grader (Caterpillar 12 equivalent or larger)

GROUP 2-A: Trencher(except service), backhoe (1/2 yd. capacity or less)

GROUP 2-B: Crane (1/2 yd. capacity or less), compressor (2 or more), dozer (D-4 equivalent or larger), endloader (1 yd. capacity or larger), pump (1 or 2 six-inch or larger), side boom (D-4 equivalent or larger)

GROUP 3: Backfiller, boom truck (powered), concrete saw (20 hp or larger), dozer (less than D-4 equivalent), endloader (under 1 yd. capacity), farm tractor (with attachments), pump (2 - 4 under six-inch capacity), side boom tractor(less than D-4 equivalent), tamper (self-propelled), trencher service and grader maintenance

## GROUP 4: Oiler, grease person and hydrostatic testing operator

-----  
IRON0008-007 06/07/2010ALGER, BARAGA, CHIPPEWA, DELTA, DICKINSON, GOGEBIC, HOUGHTON,  
IRON, KEWEENAW, LUCE, MACKINAC MARQUETTE, MENOMINEE, ONTONAGON  
AND SCHOOLCRAFT COUNTIES:

	Rates	Fringes
Ironworker - pre-engineered metal building erector.....	\$ 23.70	6.95
IRONWORKER		
General contracts		
\$10,000,000 or greater.....	\$ 24.93	21.47
General contracts less		
than \$10,000,000.....	\$ 21.84	21.47

-----  
IRON0025-002 09/01/2009ALCONA, ALPENA, ARENAC, BAY, CHEBOYGAN, CLARE, CLINTON,  
CRAWFORD, GENESEE, GLADWIN, GRATIOT, HURON, INGHAM, IOSCO,  
ISABELLA, JACKSON, LAPEER, LIVINGSTON, MACOMB, MIDLAND,  
MONTMORENCY, OAKLAND, OGEMAW, OSCODA, OTSEGO, PRESQUE ISLE,  
ROSCOMMON, SAGINAW, SANILAC, SHIAWASSEE, ST. CLAIR, TUSCOLA,  
WASHTENAW AND WAYNE COUNTIES:

	Rates	Fringes
Ironworker - pre-engineered metal building erector		
Alcona, Alpena, Arenac, Cheboygan, Clare, Clinton, Crawford, Gladwin, Gratiot, Huron, Ingham, Iosco, Isabella, Jackson, Lapeer, Livingston (west of Burkhardt Road), Montmorency, Ogemaw, Oscoda, Otsego, Presque Isle, Roscommon, Sanilac, Shiawassee, Tuscola & Washtenaw (west of U.S. 23)...	\$ 19.88	19.72
Bay, Genesee, Lapeer, Livingston (east of Burkhardt Road), Macomb, Midland, Oakland, Saginaw, St. Clair, The University of Michigan, Washtenaw (east of U.S. 23) & Wayne...	\$ 21.10	20.72
IRONWORKER		
Ornamental and Structural...	\$ 29.26	27.62
Reinforcing.....	\$ 26.83	24.26

-----  
IRON0055-005 07/01/2010

LENAWEE AND MONROE COUNTIES:

	Rates	Fringes
IRONWORKER		
Pre-engineered metal buildings.....	\$ 23.28	18.30
All other work.....	\$ 28.00	18.30

---

IRON0292-003 06/01/2010

BERRIEN AND CASS COUNTIES:

	Rates	Fringes
IRONWORKER (Including pre-engineered metal building erector).....	\$ 25.05	17.21

---

IRON0340-001 03/01/2010

ALLEGAN, ANTRIM, BARRY, BENZIE, BRANCH, CALHOUN, CHARLEVOIX, EATON, EMMET, GRAND TRAVERSE, HILLSDALE, IONIA, KALAMAZOO, KALKASKA, KENT, LAKE, LEELANAU, MANISTEE, MASON, MECOSTA, MISSAUKEE, MONTCALM, MUSKEGON, NEWAYGO, OCEANA, OSCEOLA, OTTAWA, ST. JOSEPH, VAN BUREN AND WEXFORD COUNTIES:

	Rates	Fringes
IRONWORKER (Including pre-engineered metal building erector).....	\$ 23.68	17.77

---

LABO0005-006 10/01/2008

	Rates	Fringes
Laborers - hazardous waste abatement: (ALCONA, ALPENA, ANTRIM, BENZIE, CHARLEVOIX, CHEBOYGAN, CRAWFORD, EMMET, GRAND TRAVERSE, IOSCO, KALKASKA, LEELANAU, MISSAUKEE, MONTMORENCY, OSCODA, OTSEGO, PRESQUE ISLE AND WEXFORD COUNTIES:)		
Levels A, B or C.....	\$ 19.01	9.60
Work performed in conjunction with site preparation not requiring the use of personal protective equipment;		
Also, Level D.....	\$ 18.01	9.60

Laborers - hazardous waste abatement: (ALGER, BARAGA, CHIPPEWA, DELTA, DICKINSON, GOGEBIC, HOUGHTON, IRON, KEWEENAW, LUCE, MACKINAC, MARQUETTE, MENOMINEE, ONTONAGON AND SCHOOLCRAFT COUNTIES:)

Work performed inside the building and up to and including 5 ft. outside the building:

Levels A, B or C.....\$ 22.18	10.35
Work performed in conjunction with site preparation not requiring the use of personal protective equipment;	
Also, Level D.....\$ 21.18	10.35
Work performed over 5 ft. outside the building:	
Levels A, B or C.....\$ 20.44	9.80
Work performed in conjunction with site preparation not requiring the use of personal protective equipment;	
Also, Level D.....\$ 19.44	9.80

Laborers - hazardous waste abatement: (ALLEGAN, BARRY, BERRIEN, BRANCH, CALHOUN, CASS, IONIA COUNTY (except the city of Portland); KALAMAZOO, KENT, LAKE, MANISTEE, MASON, MECOSTA, MONTCALM, MUSKEGON, NEWAYGO, OCEANA, OSCEOLA, OTTAWA, ST. JOSEPH AND VAN BUREN COUNTIES:)

Levels A, B or C.....\$ 20.57	9.88
Work performed in conjunction with site preparation not requiring the use of personal protective equipment;	
Also, Level D.....\$ 19.57	9.88

Laborers - hazardous waste abatement: (ARENAC, BAY, CLARE, GLADWIN, GRATIOT, HURON, ISABELLA, MIDLAND, OGEMAW, ROSCOMMON, SAGINAW AND TUSCOLA COUNTIES:)

Levels A, B or C.....\$ 21.86	9.75
Work performed in conjunction with site preparation not requiring the use of personal protective equipment;	
Also, Level D.....\$ 20.86	9.75

Laborers - hazardous waste abatement: (CLINTON, EATON AND INGHAM COUNTIES; IONIA COUNTY (City of Portland); LIVINGSTON COUNTY (west of M-151 (Oak Grove Rd.), including the City of Howell):)

All work performed

Levels A, B or C.....\$ 21.70	9.80
Work performed in conjunction with site preparation not requiring the use of personal protective equipment;	
Also, Level D.....\$ 20.70	9.80
Laborers - hazardous waste abatement: (GENESEE, LAPEER AND SHIAWASSEE COUNTIES:)	
Levels A, B or C.....\$ 22.28	9.88
Work performed in conjunction with site preparation not requiring the use of personal protective equipment;	
Also, Level D.....\$ 21.88	9.88
Laborers - hazardous waste abatement: (HILLSDALE, JACKSON AND LENAWEE COUNTIES:)	
Work performed inside the building and up to and including 5 ft. outside the building:	
Levels A, B or C.....\$ 22.36	9.90
Work performed in conjunction with site preparation not requiring the use of personal protective equipment;	
Also, Level D.....\$ 21.36	9.90
Work performed over 5 ft. outside the building:	
Levels A, B or C.....\$ 22.96	9.80
Work performed in conjunction with site preparation not requiring the use of personal protective equipment;	
Also, Level D.....\$ 21.96	9.80
Laborers - hazardous waste abatement: (LIVINGSTON COUNTY (east of M-151 (Oak Grove Rd.) and south of M-59, excluding the city of Howell); AND WASHTENAW COUNTY:)	
Work performed inside the building and up to and including 5 ft. outside the building:	
Levels A, B or C.....\$ 27.21	11.34
Work performed in conjunction with site preparation not requiring the use of personal protective equipment;	
Also, Level D.....\$ 26.21	11.34
Work performed over 5 ft. outside the building:	

Levels A, B or C.....\$ 23.02	9.74
Work performed in conjunction with site preparation not requiring the use of personal protective equipment;	
Also, Level D.....\$ 22.02	9.74
Laborers - hazardous waste abatement: (MACOMB AND WAYNE COUNTIES:)	
Work performed inside the building and up to and including 5 ft. outside the building:	
Levels A, B or C.....\$ 27.44	12.13
Work performed in conjunction with site preparation not requiring the use of personal protective equipment;	
Also, Level D.....\$ 26.44	12.13
Work performed over 5 ft. outside the building:	
Levels A, B or C.....\$ 22.96	12.51
Work performed in conjunction with site preparation not requiring the use of personal protective equipment;	
Also, Level D.....\$ 21.96	12.51
Laborers - hazardous waste abatement: (MONROE COUNTY:)	
Work performed inside the building and up to and including 5 ft. outside the building:	
Levels A, B or C.....\$ 27.28	11.92
Work performed in conjunction with site preparation not requiring the use of personal protective equipment;	
Also, Level D.....\$ 26.28	11.92
Work performed over 5 ft. outside the building line:	
Levels A, B or C.....\$ 22.96	9.80
Work performed in conjunction with site preparation not requiring the use of personal protective equipment;	
Also, Level D.....\$ 21.96	9.80
Laborers - hazardous waste abatement: (Oakland County and the North East portion of Livingston County bordered by M-151 (Oak Grove Road) on the West and M-59 on the South.)	
Level A, B, C.....\$ 27.44	12.13
Level D.....\$ 26.44	12.13



GROUP 6.....	\$ 22.35	11.49
GROUP 7.....	\$ 14.62	11.49

SCOPE OF WORK: Tunnel, shaft and caisson work of every type and description and all operations incidental thereto, including, but not limited to, shafts and tunnels for sewers, water, subways, transportation, diversion, sewerage, caverns, shelters, aquifers, reservoirs, missile silos and steel sheeting for underground construction.

TUNNEL LABORER CLASSIFICATIONS

GROUP 1: Tunnel, shaft and caisson laborer, dump, shanty, hog house tender, testing (on gas) and watchman

GROUP 2: Manhole, headwall, catch basin builder, bricklayer tender, mortar machine and material mixer

GROUP 3: Air tool operator (jackhammer, bush hammer and grinder), first bottom, second bottom, cage tender, car pusher, carrier, concrete, concrete form, concrete repair, cement invert laborer, cement finisher, concrete shoveler, conveyor, floor, gasoline and electric tool operator, gunite, grout operator, welder, heading dinky person, inside lock tender, pea gravel operator, pump, outside lock tender, scaffold, top signal person, switch person, track, tigger, utility person, vibrator, winch operator, pipe jacking, wagon drill and air track operator and concrete saw operator (under 40 h.p.)

GROUP 4: Tunnel, shaft and caisson mucker, bracer, liner plate, long haul dinky driver and well point

GROUP 5: Tunnel, shaft and caisson miner, drill runner, key board operator, power knife operator, reinforced steel or mesh (e.g. wire mesh, steel mats, dowel bars, etc.)

GROUP 6: Dynamite and powder

GROUP 7: Restoration laborer, seeding, sodding, planting, cutting, mulching and top soil grading; and the restoration of property such as replacing mailboxes, wood chips, planter boxes, flagstones, etc.

LABO0334-001 09/01/2010

Rates Fringes

Laborers - open cut:

ZONE 1 - MACOMB, OAKLAND AND WAYNE COUNTIES:

GROUP 1.....	\$ 21.22	13.75
GROUP 2.....	\$ 21.33	13.75
GROUP 3.....	\$ 21.38	13.75
GROUP 4.....	\$ 21.46	13.75
GROUP 5.....	\$ 21.52	13.75
GROUP 6.....	\$ 18.97	13.75
GROUP 7.....	\$ 15.59	13.75

ZONE 2 - LIVINGSTON COUNTY (east of M-151 (Oak Grove

Rd.)); MONROE AND

WASHTENAW COUNTIES:

GROUP 1.....\$	21.08	11.49
GROUP 2.....\$	21.19	11.49
GROUP 3.....\$	21.31	11.49
GROUP 4.....\$	21.38	11.49
GROUP 5.....\$	21.53	11.49
GROUP 6.....\$	18.83	11.49
GROUP 7.....\$	15.47	11.49

ZONE 3 - CLINTON, EATON,  
GENESEE, HILLSDALE AND  
INGHAM COUNTIES; IONIA  
COUNTY (City of Portland);  
JACKSON, LAPEER AND  
LENAWEE COUNTIES;  
LIVINGSTON COUNTY (west of  
M-151 Oak Grove Rd.);  
SANILAC, ST. CLAIR AND  
SHIAWASSEE COUNTIES:

GROUP 1.....\$	19.27	11.49
GROUP 2.....\$	19.41	11.49
GROUP 3.....\$	19.53	11.49
GROUP 4.....\$	19.58	11.49
GROUP 5.....\$	19.72	11.49
GROUP 6.....\$	17.02	11.49
GROUP 7.....\$	14.17	11.49

ZONE 4 - ALCONA, ALLEGAN,  
ALPENA, ANTRIM, ARENAC,  
BARRY, BAY, BENZIE,  
BERRIEN, BRANCH,  
CALHOUN, CASS, CHARLEVOIX,  
CHEBOYGAN, CLARE,  
CRAWFORD, EMMET,  
GLADWIN, GRAND TRAVERSE,  
GRATIOT AND HURON  
COUNTIES; IONIA COUNTY  
(EXCEPT THE CITY OF  
PORTLAND); IOSCO,  
ISABELLA, KALAMAZOO,  
KALKASKA, KENT,  
LAKE, LEELANAU, MANISTEE,  
MASON, MECOSTA, MIDLAND,  
MISSAUKEE, MONTCALM,  
MONTMORENCY, MUSKEGON,  
NEWAYGO, OCEANA, OGEMAW,  
OSCEOLA, OSCODA, OSTEGO,  
OTTAWA, PRESQUE ISLE,  
ROSCOMMON, SAGINAW, ST.  
JOSEPH, TUSCOLA, VAN BUREN  
AND WEXFORD COUNTIES:

GROUP 1.....\$	18.28	11.49
GROUP 2.....\$	18.41	11.49
GROUP 3.....\$	18.52	11.49
GROUP 4.....\$	18.59	11.49
GROUP 5.....\$	18.71	11.49
GROUP 6.....\$	15.93	11.49
GROUP 7.....\$	14.27	11.49

ZONE 5 - ALGER, BARAGA,  
CHIPPEWA, DELTA,  
DICKINSON, GOGEBIC,

HOUGHTON, IRON,  
 KEWEENAW, LUCE, MACKINAC,  
 MARQUETTE, MENOMINEE,  
 ONTONAGON AND SCHOOLCRAFT  
 COUNTIES:

GROUP 1.....	\$ 18.51	11.49
GROUP 2.....	\$ 18.65	11.49
GROUP 3.....	\$ 18.78	11.49
GROUP 4.....	\$ 18.83	11.49
GROUP 5.....	\$ 18.88	11.49
GROUP 6.....	\$ 16.26	11.49
GROUP 7.....	\$ 14.37	11.49

SCOPE OF WORK:

Open cut construction work shall be construed to mean work which requires the excavation of earth including industrial, commercial and residential building site excavation and preparation, land balancing, demolition and removal of concrete and underground appurtenances, grading, paving, sewers, utilities and improvements; retention, oxidation, flocculation and irrigation facilities, and also including but not limited to underground piping, conduits, steel sheeting for underground construction, and all work incidental thereto, and general excavation. For all areas except the Upper Peninsula, open cut construction work shall also be construed to mean waterfront work, piers, docks, seawalls, breakwalls, marinas and all incidental work. Open cut construction work shall not include any structural modifications, alterations, additions and repairs to buildings, or highway work, including roads, streets, bridge construction and parking lots or steel erection work and excavation for the building itself and back filling inside of and within 5 ft. of the building and foundations, footings and piers for the building. Open cut construction work shall not include any work covered under Tunnel, Shaft and Caisson work.

OPEN CUT LABORER CLASSIFICATIONS

GROUP 1: Construction laborer

GROUP 2: Mortar and material mixer, concrete form person, signal person, well point person, manhole, headwall and catch basin builder, headwall, seawall, breakwall and dock builder

GROUP 3: Air, gasoline and electric tool operator, vibrator operator, driller, pump person, tar kettle operator, bracer, rodder, reinforced steel or mesh person (e.g., wire mesh, steel mats, dowel bars, etc.), welder, pipe jacking and boring person, wagon drill and air track operator and concrete saw operator (under 40 h.p.), windlass and tugger person and directional boring person

GROUP 4: Trench or excavating grade person

GROUP 5: Pipe layer (including crock, metal pipe, multi-plate or other conduits)

GROUP 6: Grouting man, audio-visual television operations and all other operations in connection with closed circuit television inspection, pipe cleaning and pipe relining work and the installation and repair of water service pipe and appurtenances

GROUP 7: Restoration laborer, seeding, sodding, planting, cutting, mulching and top soil grading; and the restoration of property such as replacing mailboxes, wood chips, planter boxes, flagstones, etc.

-----  
LABO0465-001 06/01/2010

LABORER: Highway, Bridge and Airport Construction

AREA 1: GENESEE, MACOMB, MONROE, OAKLAND, WASHTENAW AND WAYNE COUNTIES

AREA 2: ALLEGAN, BARRY, BAY, BERRIEN, BRANCH, CALHOUN, CASS, CLINTON, EATON, GRATIOT, HILLSDALE, HURON, INGHAM, JACKSON, KALAMAZOO, LAPEER, LENAWEE, LIVINGSTON, MIDLAND, MUSKEGON, SAGINAW, SANILAC, SHIAWASSEE, ST. CLAIR, ST. JOSEPH, TUSCOLA AND VAN BUREN COUNTIES

AREA 3: ALCONA, ALPENA, ANTRIM, ARENAC, BENZIE, CHARLEVOIX, CHEBOYGAN, CLARE, CRAWFORD, EMMET, GLADWIN, GRAND TRAVERSE, IONIA, IOSCO, ISABELLA, KALKASKA, KENT, LAKE, LEELANAU, MANISTEE, MASON, MECOSTA, MISSAUKEE, MONTCALM, MONTMORENCY, NEWAYGO, OCEANA, OGEMAW, OSCEOLA, OSCODA, OTSEGO, OTTAWA, PRESQUE ISLE, ROSCOMMON AND WEXFORD COUNTIES

AREA 4: ALGER, BARAGA, CHIPPEWA, DELTA, DICKINSON, GOGEBIC, HOUGHTON, IRON, KEWEENAW, LUCE, MACKINAC, MARQUETTE, MENOMINEE, ONTONAGON AND SCHOOLCRAFT COUNTIES

	Rates	Fringes
LABORER (AREA 1)		
GROUP 1.....	\$ 23.73	11.49
GROUP 2.....	\$ 23.86	11.49
GROUP 3.....	\$ 24.04	11.49
GROUP 4.....	\$ 24.12	11.49
GROUP 5.....	\$ 24.33	11.49
GROUP 6.....	\$ 24.63	11.49
LABORER (AREA 2)		
GROUP 1.....	\$ 21.78	11.49
GROUP 2.....	\$ 21.98	11.49
GROUP 3.....	\$ 22.22	11.49
GROUP 4.....	\$ 22.57	11.49
GROUP 5.....	\$ 22.44	11.49
GROUP 6.....	\$ 22.78	11.49
LABORER (AREA 3)		
GROUP 1.....	\$ 21.03	11.49
GROUP 2.....	\$ 21.24	11.49
GROUP 3.....	\$ 21.53	11.49
GROUP 4.....	\$ 21.97	11.49
GROUP 5.....	\$ 21.59	11.49
GROUP 6.....	\$ 22.02	11.49
LABORER (AREA 4)		

GROUP 1.....	\$ 21.03	11.49
GROUP 2.....	\$ 21.24	11.49
GROUP 3.....	\$ 21.53	11.49
GROUP 4.....	\$ 21.97	11.49
GROUP 5.....	\$ 21.59	11.49
GROUP 6.....	\$ 22.02	11.49

## LABORER CLASSIFICATIONS

GROUP 1: Asphalt shoveler or loader; asphalt plant misc.; burlap person; yard person; dumper (wagon, truck, etc.); joint filling laborer; miscellaneous laborer; unskilled laborer; sprinkler laborer; form setting laborer; form stripper; pavement reinforcing; handling and placing (e.g., wire mesh, steel mats, dowel bars); mason's tender or bricklayer's tender on manholes; manhole builder; headwalls, etc.; waterproofing, (other than buildings) seal coating and slurry mix, shoring, underpinning; pressure grouting; bridge pin and hanger removal; material recycling laborer; horizontal paver laborer (brick, concrete, clay, stone and asphalt); ground stabilization and modification laborer; grouting; waterblasting; top person; railroad track and trestle laborer; carpenters' tender; guard rail builders' tender; earth retention barrier and wall and M.S.E. wall installer's tender; highway and median installer's tender (including sound, retaining, and crash barriers); fence erector's tender; asphalt raker tender; sign installer; remote control operated equipment.

GROUP 2: Mixer operator (less than 5 sacks); air or electric tool operator (jackhammer, etc.); spreader; boxperson (asphalt, stone, gravel); concrete paddler; power chain saw operator; paving batch truck dumper; tunnel mucker (highway work only); concrete saw (under 40 h.p.) and dry pack machine; roto-mill grounds person.

GROUP 3: Tunnel miner (highway work only); finishers tenders; guard rail builders; highway and median barrier installer; earth retention barrier and wall and M.S.E. wall installer's (including sound, retaining and crash barriers); fence erector; bottom person; powder person; wagon drill and air track operator; diamond and core drills; grade checker; certified welders; curb and side rail setter's tender.

GROUP 4: Asphalt raker

GROUP 5: Pipe layers, oxy-gun

GROUP 6: Line-form setter for curb or pavement; asphalt screed checker/screw man on asphalt paving machines.

-----  
LAB01076-006 04/01/2010

ALCONA, ALGER, ALLEGAN, ALPENA, ANTRIM, ARENAC, BARAGA, BARRY, BAY, BENZIE, BERRIEN, BRANCH, CALHOUN, CASS, CHARLEVOIX, CHEBOYGAN, CHIPPEWA, CLARE, CLINTON, CRAWFORD, DELTA, DICKINSON, EATON, EMMET, GENESEE, GLADWIN, GOGEBIC, GRAND TRAVERSE, GRATIOT, HILLSDALE, HOUGHTON, HURON, INGHAM, IONIA, IOSCO, IRON, ISABELLA, JACKSON, KALAMAZOO, KALKASKA, KENT,

KEWEENAW, LAKE, LAPEER, LEELANAU, LENAWEE, LIVINGSTON, LUCE, MACKINAC, MACOMB, MANISTEE, MARQUETTE, MASON, MECOSTA, MENOMINEE, MIDLAND, MISSAUKEE, MONTCALM, MONTMORENCY, MONROE, MUSKEGON, NEWAYGO, OAKLAND, OCEANA, OGEMAW, ONTONAGON, OSCEOLA, OSCODA, OTSEGO, OTTAWA, PRESQUE ISLE, ROSCOMMON, SAGINAW, ST. CLARE, ST. JOSEPH, SANILAC, SCHOOLCRAFT, SHIAWASSEE, TUSCOLA, VAN BUREN, WASHTENAW, WAYNE AND WEXFORD COUNTIES

	Rates	Fringes
LABORER (DISTRIBUTION WORK)		
Zone 1.....	\$ 18.18	11.49
Zone 2.....	\$ 16.80	11.49
Zone 3.....	\$ 15.03	11.49
Zone 4.....	\$ 14.40	11.49
Zone 5.....	\$ 14.40	11.49

DISTRIBUTION WORK - The construction, installation, treating and reconditioning of distribution pipelines transporting coal, oil gas, or other similar materials, vapors or liquids, including portions of such pipelines within private property boundaries, up to and including the meter settings on residential, commercial, industrial, institutional, private and public structures. All work covering pumping stations and tank farms not covered by the Building Trades Agreement. Other distribution lines with the exception of sewer, water and cable television are included.

Underground Duct Layer Pay: \$.40 per hour above the base pay rate.

- Zone 1-Macomb,Oakland and Wayne
- Zone 2-Monroe and Washtenaw
- Zone 3-Bay, Genesee, Lapeer, Midland, Saginaw, Sanilac, Shiawassee and St. Clair
- Zone 4-Alger, Baraga, Chippewa, Delta, Dickinson,Gogebic, Houghton, Iron, Keweenaw, Luce, Mackinaw, Marquette, Menominee, Ontonagon and Schoolcraft
- Zone 5-Remaining counties in Michigan

-----  
PAIN0022-002 07/01/2008

HILLSDALE, JACKSON AND LENAWEE COUNTIES; LIVINGSTON COUNTY (east of the eastern city limits of Howell, not including the city of Howell, north to the Genesee County line and south to the Washtenaw County line); MACOMB, MONROE, OAKLAND, WASHTENAW AND WAYNE COUNTIES:

	Rates	Fringes
PAINTER.....	\$ 25.06	14.75

FOOTNOTES: For all spray work and journeyman rigging for spray work, also blowing off, \$0.80 per hour additional (applies only to workers doing rigging for spray work on off the floor work. Does not include setting up or moving rigging on floor surfaces, nor does it apply to workers

engaged in covering up or tending spray equipment. For all sandblasting and spray work performed on highway bridges, overpasses, tanks or steel, \$0.80 per hour additional. For all brushing, cleaning and other preparatory work (other than spraying or steeplejack work) at scaffold heights of fifty (50) feet from the ground or higher, \$0.50 per hour additional. For all preparatorial work and painting performed on open steel under forty (40) feet when no scaffolding is involved, \$0.50 per hour additional. For all swing stage work-window jacks and window belts-exterior and interior, \$0.50 per hour additional. For all spray work and sandblaster work to a scaffold height of forty (40) feet above the floor level, \$0.80 per hour additional. For all preparatorial work and painting on all highway bridges or overpasses up to forty (40) feet in height, \$0.50 per hour additional. For all steeplejack work performed where the elevation is forty (40) feet or more, \$1.25 per hour additional.

-----  
 PAIN0312-001 06/01/2008

EXCLUDES: ALLEGAN COUNTY (Townships of Dorr, Fillmore, Heath, Hopkins, Laketown, Leighton, Manlius, Monterey, Overisel, Salem, Saugatuck and Wayland); INCLUDES: Barry, Berrian, Branch, Calhoun, Cass, Hillsdale, Kalamazoo, St. Joseph, Van Buren

	Rates	Fringes
PAINTER		
Brush and roller.....	\$ 20.80	10.25
Spray, Sandblast, Sign		
Painting.....	\$ 22.00	10.25

-----  
 PAIN0845-003 07/01/2010

CLINTON COUNTY; EATON COUNTY (does not include the townships of Bellevue and Olivet); INGHAM COUNTIES; IONIA COUNTY (east of Hwy. M 66); LIVINGSTON COUNTY (west of the eastern city limits of Howell, including the city of Howell, north to the Genesee County line and south to the Washtenaw County line); AND SHIAWASSEE COUNTY (Townships of Bennington, Laingsbury and Perry):

	Rates	Fringes
PAINTER.....	\$ 22.88	11.00

FOOTNOTES: Work on vinyl, spray, blow-off, blast-all blasting including water blasting, lead, all epoxy, and high rate: \$.85 per hour additional.

-----  
 PAIN0845-015 07/01/2010

MUSKEGON COUNTY; NEWAYGO COUNTY (except the Townships of Barton, Big Prairie, Brooks, Croton, Ensley, Everett, Goodwell, Grant, Home, Monroe, Norwich and Wilcox); OCEANA COUNTY; OTTAWA COUNTY (except the townships of Allendale, Blendone, Chester,

Georgetown, Holland, Jamestown, Olive, Park, Polkton, Port Sheldon, Tallmadge, Wright and Zeeland):

	Rates	Fringes
PAINTER.....	\$ 22.88	11.00
-----		
PAIN0845-018 07/01/2010		

ALLEGAN COUNTY (Townships of Dorr, Fillmore, Heath, Hopkins, Laketown, Leighton, Manlius, Monterey, Overisel, Salem, Saugatuck and Wayland); IONIA COUNTY (west of Hwy. M-66); KENT, MECOSTA AND MONTCALM COUNTIES; NEWAYGO COUNTY (Townships of Barton, Big Prairie, Brooks, Croton, Ensley, Everett, Goodwell, Grant, Home, Monroe, Norwich and Wilcox); OSCEOLA COUNTY (south of Hwy. #10); OTTAWA COUNTY (Townships of Allendale, Blendone, Chester, Georgetown, Holland, Jamestown, Olive, Park, Polkton, Port Sheldon, Tallmadge, Wright and Zeeland):

	Rates	Fringes
PAINTER.....	\$ 22.88	11.00
-----		
PAIN1011-003 06/01/2010		

FOOTNOTES: Lead abatement work: \$1.00 per hour additional.

ALGER, BARAGA, CHIPPEWA, DELTA, DICKINSON, GOGEBIC, HOUGHTON, IRON, KEWEENAW, LUCE, MACKINAC, MARQUETTE, MENOMINEE, ONTONAGON AND SCHOOLCRAFT COUNTIES:

	Rates	Fringes
PAINTER.....	\$ 24.00	9.17
-----		
PAIN1474-002 06/01/2010		

FOOTNOTES: High pay (bridges, overpasses, watertower): 30 to 80 ft.: \$.65 per hour additional. 80 ft. and over: \$1.30 per hour additional.

HURON COUNTY; LAPEER COUNTY (east of Hwy. M-53); ST. CLAIR, SANILAC AND TUSCOLA COUNTIES:

	Rates	Fringes
PAINTER.....	\$ 23.79	12.02
-----		

FOOTNOTES: Lead abatement work: \$1.00 per hour additional. Work with any hazardous material: \$1.00 per hour additional. Sandblasting, steam cleaning and acid cleaning: \$1.00 per hour additional. Ladder work at or above 40 ft., scaffold work at or above 40 ft., swing stage, boatswain chair, window jacks and all work performed over a falling height of 40 ft.: \$1.00 per hour additional. Spray gun work, pick pullers and those handling needles, blowing off

by air pressure, and any person rigging (setting up and moving off the ground): \$1.00 per hour additional.  
 Steeplejack, tanks, gas holders, stacks, flag poles, radio towers and beacons, power line towers, bridges, etc.: \$1.00 per hour additional, paid from the ground up.

PAIN1803-003 06/01/2009

ALCONA, ALPENA, ANTRIM, ARENAC, BAY, BENZIE, CHARLEVOIX, CHEBOYGAN, CLARE, CRAWFORD, EMMET, GLADWIN, GRAND TRAVERSE, GRATIOT, IOSCO, ISABELLA, KALKASKA, LAKE, LEELANAU, MANISTEE, MASON, MIDLAND, MISSAUKEE, MONTMORENCY AND OGEMAW COUNTIES; OSCEOLA COUNTY (north of Hwy. #10); OSCODA, OTSEGO, PRESQUE ISLE, ROSCOMMON, SAGINAW AND WEXFORD COUNTIES:

	Rates	Fringes
PAINTER		
Work performed on water, bridges over water or moving traffic, radio and powerline towers, elevated tanks, steeples, smoke stacks over 40 ft. of falling heights, recovery of lead-based paints and any work associated with industrial plants, except maintenance of industrial plants.....	\$ 23.20	10.85
All other work, including maintenance of industrial plant.....	\$ 21.78	10.75

FOOTNOTES: Spray painting, sandblasting, blowdown associated with spraying and blasting, water blasting and work involving a swing stage, boatswain chair or spider: \$1.00 per hour additional. All work performed inside tanks, vessels, tank trailers, railroad cars, sewers, smoke stacks, boilers or other spaces having limited egress not including buildings, opentop tanks, pits, etc.: \$1.25 per hour additional.

PLAS0514-001 06/01/2010

ZONE 1: GENESEE, LIVINGSTON, MACOMB, MONROE, OAKLAND, SAGINAW, WASHTENAW AND WAYNE COUNTIES

ZONE 2: ALCONA, ALGER, ALLEGAN, ALPENA, ANTRIM, ARENAC, BARAGO, BARRY, BAY, BENZIE, BERRIEN, BRANCH, CALHOUN, CASS, CHARLEVOIX, CHEBOYGAN, CHIPPEWA, CLARE, CLINTON, CRAWFORD, DELTA, DICKINSON, EATON, EMMET, GLADWIN, GOGEBIC, GRAND TRAVERSE, GRATIOT, HILLSDALE, HOUGHTON, HURON, INGHAM, IONIA, IOSCO, IRON, ISABELLA, JACKSON, KALAMAZOO, KALKASKA, KENT, KEWEENAW, LAKE, LAPEER, LEELANAU, LENAWEE, LUCE, MACKINAC, MANISTEE, MARQUETTE, MASON, MECOSTA, MENOMINEE, MIDLAND, MISSAUKEE, MONTCALM, MONTMORENCY, MUSKEGON, NEWAYGO, OCEANA, OGEMAW, ONTONAGON, OSCEOLA, OSCODA, OSTEGO, OTTAWA, PRESQUE ISLE,

ROSCOMMON, SANILAC, SCHOOLCRAFT, SHIAWASEE, ST. CLAIR, ST. JOSEPH, TUSCOLA, VAN BUREN AND WEXFORD COUNTIES

	Rates	Fringes
CEMENT MASON/CONCRETE FINISHER		
ZONE 1.....	\$ 27.48	11.50
ZONE 2.....	\$ 25.98	11.50

-----  
 PLUM0190-003 05/01/2010

ALCONA, ALGER, ALLEGAN, ALPENA, ANTRIM, ARENAC, BARAGA, BARRY, BAY, BENZIE, BERRIEN, BRANCH, CALHOUN, CASS, CHARLEVOIX, CHEBOYGAN, CHIPPEWA, CLARE, CLINTON, CRAWFORD, DELTA, DICKINSON, EATON, EMMET, GENESEE, GLADWIN, GOGEBIC, GRAND TRAVERSE, GRATIOT, HILLSDALE, HOUGHTON, HURON, INGHAM, IONIA, IOSCO, IRON, ISABELLA, JACKSON, KALAMAZOO, KALKASKA, KENT, KEWEENAW, LAKE, LAPEER, LEELANAU, LENAWEE, LIVINGSTON, LUCE, MACKINAC, MACOMB, MANISTEE, MARQUETTE, MASON, MECOSTA, MENOMINEE, MIDLAND, MISSAUKEE, MONTCALM, MONTMORENCY, MONROE, MUSKEGON, NEWAYGO, OAKLAND, OCEANA, OGEMAW, ONTONAGON, OSCEOLA, OSCODA, OTSEGO, OTTAWA, PRESQUE ISLE, ROSCOMMON, SAGINAW, ST. CLARE, ST. JOSEPH, SANILAC, SCHOOLCRAFT, SHIAWASSEE, TUSCOLA, VAN BUREN, WASHTENAW, WAYNE AND WEXFORD COUNTIES

	Rates	Fringes
Plumber/Pipefitter - gas distribution pipeline:		
Welding in conjunction with gas distribution pipeline work.....	\$ 27.68	18.29
All other work:.....	\$ 20.72	11.15

-----  
 SUMI2002-001 05/01/2002

	Rates	Fringes
Flag Person.....	\$ 7.25	
LINE PROTECTOR (ZONE 1: GENESEE, MACOMB, MONROE, OAKLAND, WASHTENAW AND WAYNE)....		
	\$ 18.98	9.57
LINE PROTECTOR (ZONE 2: STATEWIDE (EXCLUDING GENESEE, MACOMB, MONROE, OAKLAND, WASHTENAW AND WAYNE).....		
	\$ 17.14	10.02
Pavement Marking Machine (ZONE 1: GENESEE, MACOMB, MONROE, OAKLAND, WASHTENAW AND WAYNE COUNTIES)		
Group 1.....	\$ 23.72	9.57

Pavement Marking Machine (ZONE 1: GENESEE, MACOMB, MONROE, OAKLAND, WASHTENAW



Trucks under 8 cu. yds.....	\$ 23.295	.50 + a+b
Trucks, 8 cu. yds. and over.....	\$ 23.395	.50 + a+b
AREA 2		
Euclids, double bottomms and lowboys.....	\$ 23.645	.50 + a+b
Trucks under 8 cu. yds.....	\$ 23.395	.50 + a+b
Trucks, 8 cu. yds. and over.....	\$ 23.495	.50 + a+b

Footnote: a. \$265.90 per week  
          b. \$28.00 daily

-----  
TEAM0247-004 06/01/2004

AREA 1: ALCONA, ALGER, ALLEGAN, ALPENA, ANTRIM, ARENAC, BARAGO, BARRY, BAY, BENZIE, BERRIEN, BRANCH, CALHOUN, CASS, CHARLEVOIX, CHEBOYGAN, CHIPPEWA, CLARE, CLINTON, CRAWFORD, DELTA, DICKINSON, EATON, EMMET, GLADWIN, GOGEBIC, GRAND TRAVERSE, GRATIOT, HILLSDALE, HOUGHTON, HURON, INGHAM, IONIA, IOSCO, IRON, ISABELLA, JACKSON, KALAMAZOO, KALKASKA, KENT, KEWEENAW, LAKE, LAPEER, LEELANAU, LENAWEE, LUCE, MACKINAC, MANISTEE, MARQUETTE, MASON, MECOSTA, MENOMINEE, MIDLAND, MISSAUKEE, MONTCALM, MONTMORENCY, MUSKEGON, NEWAYGO, OCEANA, OGEMAW, ONTONAGON, OSCEOLA, OSCODA, OSTEGO, OTTAWA, PRESQUE ISLE, ROSCOMMON, SANILAC, SCHOOLCRAFT, SHIAWASEE, ST. CLAIR, ST. JOSEPH, TUSCOLA, VAN BUREN AND WEXFORD COUNTIES

AREA 2: GENESEE, MACOMB, MONROE, OAKLAND, WASHTENAW AND WAYNE COUNTIES

	Rates	Fringes
Sign Installer		
AREA 1		
GROUP 1.....	\$ 20.18	.15 + a
GROUP 2.....	\$ 19.93	.15 + a
AREA 2		
GROUP 1.....	\$ 21.73	.15 + a
GROUP 2.....	\$ 21.48	.15 + a

FOOTNOTE:

a. \$132.70 per week, plus \$17.80 per day.

SIGN INSTALLER CLASSIFICATION:S

GROUP 1: performs all necessary labor and uses all tools required to construct and set concrete forms required in the installation of highway and street signs

GROUP 2: performs all miscellaneous labor, uses all hand and power tools, and operates all other equipment, mobile or otherwise, required for the installation of highway and street signs

-----  
TEAM0247-010 04/01/2010

AREA 1: ALCONA, ALGER, ALLEGAN, ALPENA, ANTRIM, ARENAC, BARAGO, BARRY, BAY, BENZIE, BERRIEN, BRANCH, CALHOUN, CASS, CHARLEVOIX, CHEBOYGAN, CHIPPEWA, CLARE, CLINTON, CRAWFORD, DELTA, DICKINSON, EATON, EMMET, GLADWIN, GOGEBIC, GRAND TRAVERSE, GRATIOT, HILLSDALE, HOUGHTON, HURON, INGHAM, IONIA, IOSCO, IRON, ISABELLA, JACKSON, KALAMAZOO, KALKASKA, KENT, KEWEENAW, LAKE, LAPEER, LEELANAU, LENAWEE, LIVINGSTON, LUCE, MACKINAC, MANISTEE, MARQUETTE, MASON, MECOSTA, MENOMINEE, MIDLAND, MISSAUKEE, MONTCALM, MONTMORENCY, MUSKEGON, NEWAYGO, OCEANA, OGEMAW, ONTONAGON, OSCEOLA, OSCODA, OSTEGO, OTTAWA, PRESQUE ISLE, ROSCOMMON, SAGINAW, SANILAC, SCHOOLCRAFT, SHIAWASEE, ST. CLAIR, ST. JOSEPH, TUSCOLA, VAN BUREN AND WEXFORD COUNTIES

AREA 2: GENESEE, MACOMB, MONROE, OAKLAND, WASHTENAW AND WAYNE COUNTIES

	Rates	Fringes
TRUCK DRIVER (Underground construction)		
AREA 1		
GROUP 1.....	\$ 21.52327.95/wk	+46.20/day
GROUP 2.....	\$ 21.61327.95/wk	+46.20/day
GROUP 3.....	\$ 21.82327.95/wk	+46.20/day
AREA 2		
GROUP 1.....	\$ 21.82327.95/wk	+46.20/day
GROUP 2.....	\$ 21.96327.95/wk	+46.20/day
GROUP 3.....	\$ 22.15327.95/wk	+46.20/day

PAID HOLIDAYS: New Year's Day, Memorial Day, Fourth of July, Labor Day, Thanksgiving Day and Christmas Day.

SCOPE OF WORK: Excavation, site preparation, land balancing, grading, sewers, utilities and improvements; also including but not limited to, tunnels, underground piping, retention, oxidation, flocculation facilities, conduits, general excavation and steel sheeting for underground construction. Underground construction work shall not include any structural modifications, alterations, additions and repairs to buildings or highway work, including roads, streets, bridge construction and parking lots or steel erection.

TRUCK DRIVER CLASSIFICATIONS

GROUP 1: Truck driver on all trucks (EXCEPT dump trucks of 8 cubic yards capacity or over, pole trailers, semis, low boys, Euclid, double bottom and fuel trucks)

GROUP 2: Truck driver on dump trucks of 8 cubic yards capacity or over, pole trailers, semis and fuel trucks

GROUP 3: Truck driver on low boy, Euclid and double bottom

-----  
WELDERS - Receive rate prescribed for craft performing operation to which welding is incidental.  
=====

Unlisted classifications needed for work not included within the scope of the classifications listed may be added after award only as provided in the labor standards contract clauses (29CFR 5.5 (a) (1) (ii)).

-----

In the listing above, the "SU" designation means that rates listed under the identifier do not reflect collectively bargained wage and fringe benefit rates. Other designations indicate unions whose rates have been determined to be prevailing.

-----

#### WAGE DETERMINATION APPEALS PROCESS

1.) Has there been an initial decision in the matter? This can be:

- \* an existing published wage determination
- \* a survey underlying a wage determination
- \* a Wage and Hour Division letter setting forth a position on a wage determination matter
- \* a conformance (additional classification and rate) ruling

On survey related matters, initial contact, including requests for summaries of surveys, should be with the Wage and Hour Regional Office for the area in which the survey was conducted because those Regional Offices have responsibility for the Davis-Bacon survey program. If the response from this initial contact is not satisfactory, then the process described in 2.) and 3.) should be followed.

With regard to any other matter not yet ripe for the formal process described here, initial contact should be with the Branch of Construction Wage Determinations. Write to:

Branch of Construction Wage Determinations  
Wage and Hour Division  
U.S. Department of Labor  
200 Constitution Avenue, N.W.  
Washington, DC 20210

2.) If the answer to the question in 1.) is yes, then an interested party (those affected by the action) can request review and reconsideration from the Wage and Hour Administrator (See 29 CFR Part 1.8 and 29 CFR Part 7). Write to:

Wage and Hour Administrator  
U.S. Department of Labor  
200 Constitution Avenue, N.W.  
Washington, DC 20210

The request should be accompanied by a full statement of the interested party's position and by any information (wage payment data, project description, area practice material, etc.) that the requestor considers relevant to the issue.

3.) If the decision of the Administrator is not favorable, an

interested party may appeal directly to the Administrative Review Board (formerly the Wage Appeals Board). Write to:

Administrative Review Board  
U.S. Department of Labor  
200 Constitution Avenue, N.W.  
Washington, DC 20210

4.) All decisions by the Administrative Review Board are final.

=====

END OF GENERAL DECISION

---

**PROJECT SPECIFICATION**

**FOR**

**WATER MAIN AND APPURTENANCES**

1 of 6

Wightman & Associates, Inc. /SCC

12/13/10

**Description**

Water main shall be considered to mean all pipe or tubing and appurtenances intended to transport and/or control potable water and lying within street right-of-way or easements.

The CONTRACTOR shall furnish all materials, equipment, tools and labor and do all the work necessary to install, construct, test and sterilize, complete ready for service the water main as shown on the plans, as herein specified or as directed by the ENGINEER.

**Materials**

All water main, fittings and appurtenances incorporated in the work performed under this contract shall conform to the following specifications. Deviations from the manufacturer's list may not be made unless approved by the ENGINEER.

A. **Water main**

Ductile Iron Pipe (DIP) water main shall conform to the requirements of AWWA Standard C151, with Class 350 wall thickness, with push on joints equivalent to Clow Bell-Tite push on joint or U.S. Pipe Tyton joint. The pipe shall be cement lined in accordance with AWWA Standard C104. Cement lining shall be standard thickness and have a bituminous seal coat.

B. **Fittings**

Fittings shall have body thicknesses and radii of curvature conforming to ANSI/AWWA C153/A21.53 Standards, and joints in accordance with Section 11-2.3 of ANSI Standard A.21.11, Class 350 Ductile Iron. All fittings shall include wedge action Megalug Retainer Glands.

All fittings shall be cement mortar lined with standard thickness lining and bituminous seal coat.

C. **Valves**

Valves shall comply with all applicable provisions of the latest revision of AWWA Standard C515-99, Standard for reduced wall Resilient Seated Gate Valves. Wedge shall be constructed of ductile iron, fully encapsulated in synthetic rubber except for guide and wedge nut areas. Wedge rubber shall be molded in place and bonded to the ductile iron portion, and shall not be mechanically attached with screws, rivets, or similar fasteners. Wedge shall seat against surfaces arranged symmetrically about the centerline of the operating stem, so that seating is equally effective regardless of direction of pressure imbalance across the wedge. All seating surfaces in body shall be inclined to the vertical at a minimum of 32° when stem is in a vertical position) to eliminate abrasive wear of rubber sealing surfaces. Stem shall be sealed by at least two O-rings; all stem seals shall be replaceable with valve

open and subjected to full rated pressure. Waterway shall be smooth and shall have no depressions or cavities in seal area where foreign material can lodge and prevent closure or sealing. Valve body and bonnet shall be epoxy coated, inside and out. Unless otherwise specified below or otherwise shown on the plans, gate valves shall have non-rising stem, 2" operating nut for counter-clockwise opening, with mechanical joint ends for ductile iron pipe.

D. Valve Boxes

Valve boxes shall be screw type, 3 piece, cast iron and adjustable having round bases and suitable for pipe depth of 5' to 6'. The Contractor shall accommodate the additional depth water main and valves as shown on the plans near Sonoma Court. No additional payment will be made for extra depth valves or boxes.

E. Fire Hydrants

Hydrants and their appurtenant gate valves shall be provided with standard M.J. connections. Hydrants shall have breakable flange parts, 5" valve opening, O.L., 2-2 1/2" hose nozzles, 1-5" O.D. Steamer Nozzle with 4 threads per inch, 5' trench, 12" extension on riser, 6" diameter M.J. inlet, painted red 7/8" pentagon operating nut and nozzle thread conforming to local municipal standards.

Hydrants shall be Waterous or equal, approved by the local municipality prior to ordering.

Excavation

Excavation and backfill in open cut or tunnel for buried water main and fittings shall be carried out in compliance with good standard construction practice. All piping shall have the space between the pipe and the bottom and sides of the trench packed full with clean sand by hand and thoroughly tamped up to 6" above the top of the pipe. A minimum of 5'-0" and a maximum of 6'-0" earth cover shall be provided at all times. Cover is defined as the distance from grade to the top of the pipe. Deviation from this requirement must be approved by the ENGINEER. Barricades, signs, and warning lighting shall be furnished and maintained by the CONTRACTOR during construction.

Laying – Water Main & Fittings

Pipe and fittings shall be laid on good foundation, trimmed to shape and, where required, secured against settlement in a manner approved by the Inspector. Pipes shall have a solid bearing throughout their entire length. When laid in tunnel, the pipe shall be blocked in such a manner as to take the weight off the bells. Mechanical joint pipe shall be jointed in accordance with the manufacturer's recommendations, and bolts shall be tightened with approved torque wrench or other approved means to ensure uniform and allowable tension of the bolts.

If the CONTRACTOR is unable to place pipe into the trench and in place without earth entering the pipe, the inspector may require that suitable covering be placed over each end of the pipe before lowering into the trench, and until connection is to be made to the adjacent pipe. At times when pipe laying is not in progress the open ends of the pipe shall be closed by a water tight plug or other means approved by the inspector.

***Village of Baroda***  
***First Street Streetscape Project***

---

3 of 6

Whenever it is necessary to deflect pipe from a straight line (horizontal or vertical), the amount of deflection allowed shall not exceed that recommended by the pipe manufacturer and shall be approved by the inspector.

*Laying - Fire Hydrants*

All hydrants shall have auxiliary gate valves and shall be set at locations designated on the contract drawings. They shall be placed with one (1) cubic yard of crushed stone around the base to provide drainage for the hydrant drip.

*Testing in the Field*

When a stretch of pipe and appurtenances has been completed, the CONTRACTOR shall furnish proper appliances and facilities for testing and draining the same, without injury to the work or surrounding territory. He shall test by filling the pipe with clean water under a minimum hydrostatic pressure equal to One Hundred Fifty (150) PSI. The pressure as noted shall be maintained for a minimum period of two (2) hours. In no case shall there be any visible leakage, nor shall the leakage in any stretch of pipe exceed 11.65 gallons per 24 hour day per inch diameter per mile, as measured over a period of two hours. Water for making tests shall be furnished by the CONTRACTOR at his expense.

Any defects, cracks, or leakage that may develop, or that may be discovered either in the joints or in the body of the castings, shall be promptly made good by the CONTRACTOR, at his own expense, and to the satisfaction of the inspector.

*Disinfection*

After the water mains have been tested and flushed, they shall be disinfected in accordance with requirements of the Michigan Department of Environmental Quality.

All piping shall be chlorinated with fifty (50) parts per million or more of liquid chlorine, and the chlorinated water allowed to stand in the mains for 24 hours at the end of which period the chlorinated water at all parts of mains shall show a free available chlorine residual of not less than 25 parts per million. The recommended chlorine bearing compound shall be high test calcium hypochlorinate (65-70 percent available chlorine). In the preparation of this solution the powder is gradually thinned with water to approximately 1% chlorine solution (10,000 parts per million). This will require about 7.5 gallons of water to each pound of powder. Solution shall be prepared in a barrel and then applied to the main through a rubber hose by gravity, siphonage, injection or by suitable pump feeder.

The point of chlorine application shall be at the beginning of the water main construction, through a corporation cock on the downstream side of the valve controlling the flow of water into the main. The rate of chlorine application shall be in such proportion to the rate of water flow entering the main that the chlorine dose applied shall produce fifty (50) parts per million (420 pounds per million gallons) chlorine concentration in the water within the main.

The chlorinated water shall then be removed from the mains and the mains left full of water. When the water in the treated main shall have been proven comparable to that of the source, water samples shall be collected at each clean and sanitary sampling tap previously determined by the inspector, and submitted to a laboratory for testing. The sterilization procedure shall be repeated if unsatisfactory results are

**Village of Baroda**  
**First Street Streetscape Project**

obtained. Before placing the mains into service, satisfactory test results shall have been obtained on two consecutive samples taken 24 hours apart.

Work Within Governmental Right-of-Way

All construction work within the governmental right-of-way shall be performed in accordance with the requirements of the governmental unit. All required permits and surety bonds shall be furnished by the CONTRACTOR before commencing work. At the conclusion of the work the CONTRACTOR shall furnish a written statement that work in governmental right-of-ways has been completed to the satisfaction of the governmental unit.

Ductile Iron Fittings

The amount of ductile iron fittings will be paid for at the contract unit price bid per pound of ductile iron fitting, which price shall be payment in full for all work, materials and equipment, including excavation and backfilling for the actual quantity installed. All fittings shall conform to ANSI 21.10 and AWWA C110 specifications. Payment for ductile iron fittings will be made on the basis of the following table of weights for mechanical joint ductile iron compact fittings. Joint accessories are not included in the following weights and will not be measured separately for payment.

**Bends and Solid & Tapped Plugs & Caps**

	<b>90° Bends Weight</b>	<b>45° Bends Weight</b>	<b>22 1/2° Bends Weight</b>	<b>11 1/4° Bends Weight</b>	<b>Solid &amp; Tapped Plugs</b>	<b>Solid &amp; Tapped Caps</b>
4	26	22	21	18	10	10
6	43	36	34	30	18	17
8	64	55	46	44	26	25
10	96	74	67	61	36	35
12	122	111	80	74	46	44
14	220	164	148	93	79	69
16	264	202	178	158	100	92
18	410	289	292	287	130	122
20	505	348	364	346	153	148
24	664	475	460	457	202	202

**Tees & Reducers**

<b>Size</b>	<b>Tee</b>	<b>Cross</b>	<b>Reducers</b>
4	35	42	---
6X4	51	62	27
6	60	80	---
8X4	71	84	36
8X6	80	105	38
8	90	111	---
10X4	83	98	47
10X6	93	110	47
10X8	111	138	54
10	120	155	---
12X4	105	115	65
12X6	115	129	60
12X8	123	258	60
12X10	153	180	64

***Village of Baroda  
First Street Streetscape Project***

5 of 6

<b>Size</b>	<b>Tee</b>	<b>Cross</b>	<b>Reducers</b>
12	165	212	---
14X6	183	210	108
14X8	206	231	104
14X10	229	255	100
14X12	235	269	100
14	281	299	---
16X6	229	250	132
16X8	248	264	128
16X10	265	286	128
16X12	281	310	125
16X14	317	363	140
16	323	410	---
18X6	275	---	---
18X8	280	---	194
18X10	286	---	196
18X12	370	---	185
18X14	415	---	190
18X16	445	---	196
18	490	---	---
20X6	335	---	---
20X8	383	---	---
20X10	410	---	225
20X12	432	---	210
20X14	475	---	208
20X16	530	---	225
20X18	560	---	233
20	605	---	---
24X6	454	---	---
24X8	475	---	---
24X10	505	---	---
24X12	454	---	310
24X14	585	---	315
24X16	625	---	325
24X18	675	---	312
24X20	740	---	315
24	830	---	---

**Measurement and Payment**

The actual number of linear feet of respective water main and conduit and the number of respective valves and manholes, valves and boxes and hydrants complete as shown on the plans and as specified will be measured and counted for payment under the applicable item. No deduction in length of water main will be made for valves and fittings.

***Village of Baroda***  
***First Street Streetscape Project***

---

Pay Item Pay Unit

Water Main, DI, 6 inch, Tr Det G	FT
Water Main, DI, 8 inch, Tr Det G	FT
Water Main, DI, 12 inch, Tr Det G	FT
Ductile Iron Fittings	LB
Gate Valve and Box, 6 inch	EA
Gate Valve and Box, 8 inch	EA
Gate Valve and Box, 12 inch	EA
Hydrant, Valve and Box, 6 inch	EA

---

**PROJECT SPECIFICATION**

**FOR**

**CONNECTION TO EXISTING WATER MAIN, \_\_ INCH**

1 of 1

Wightman & Associates, Inc. /SCC

12/13/10

Description

The item of Connect to Existing Water Main, \_\_ inch shall consist of all labor, material, and equipment required to connect the proposed main to the existing main as shown on the plans and as herein specified.

Materials

The cutting-in-sleeves supplied as a part of this item shall meet the requirements for Ductile Iron Fittings included in the special provisions for Water Main and Appurtenances.

Construction Methods

The work under the various connection items shall include all work required to connect the proposed main to the existing main as shown on the plans. Included shall be cutting the existing main or removing the existing plug or fittings, furnishing and installing any required cutting-in-sleeves, furnishing and installing any pipe smaller than 6" required for the connection, and the plugging of any main noted to be plugged on the plans or required to switch over to the new main. The installation of all valves and fittings other than cutting-in-sleeves shall be paid for under their respective bid items.

The existing and required fittings shown on the plans are based upon available information. The CONTRACTOR shall expose the existing main and fittings at the proposed connection and shall determine the actual fittings required. He will be paid his bid price for the fittings actually installed. The CONTRACTOR shall be responsible with the aid of the OWNER for locating all valves necessary to shut down the existing main for the connection. The CONTRACTOR shall have all required fittings ready for installation prior to shutting off the existing main to minimize the shut down period. The connections must be made during low usage periods of the water system and may be required to be performed at night. The CONTRACTOR shall coordinate with the Village Water Department to determine the timing for the connections.

As a part of this item, the CONTRACTOR shall cut and install solid plugs where required or noted on the plans to abandon water main being replaced. Mechanical joint ductile iron plugs shall be installed on cut ends to remain in service. Concrete plugs may be installed on main which has been abandoned to prevent entry of backfill material.

Measurement and Payment

The actual number of connections to existing water main of the respective size will be paid for under the item for Connect to Existing Water Main, \_\_ inch.

Contract Item (Pay Item)

Pay Unit

Connect to Existing Water Main, \_\_ Inch

Each

**PART 8**

**PROPOSAL**

To the Owner: *Village of Baroda*  
*9091 First Street, PO Box 54*  
*Baroda, MI 49101-1499*

*Contractor:* \_\_\_\_\_

*Contact:* \_\_\_\_\_

*Official Address:* \_\_\_\_\_

*Phone:* \_\_\_\_\_

*Fax:* \_\_\_\_\_

*Email:* \_\_\_\_\_

Gentlemen:

The undersigned, having familiarized himself with the local conditions affecting the cost of the work, and with the Contract documents, including the Advertisement for Bids, Instructions to Bidders, General Conditions, Plans, General Specifications, Project Specifications, Contract, Proposal, Performance Bond, and Addenda and exhibits issued and attached to the specifications on file in the office of the ENGINEER, hereby propose to perform everything required to be performed and to provide and furnish all of the labor, materials, necessary tools, expendable equipment, and all utility and transportation services necessary to perform and complete in a workmanlike manner all work required for the construction and completion of this project for the ENGINEER, all in accordance with the above, including Addenda Nos. \_\_\_\_\_, issued thereto, for the prices, to wit:

(The proposal section follows)

**VILLAGE OF BARODA**  
**FIRST STREET STREETScape PROJECT**  
**PROPOSAL**

***CATEGORY 1 - PARTICIPATING ITEMS***

<i>ITEM NO</i>	<i>ESTIMATED QUANTITY</i>	<i>UNIT</i>	<i>DESCRIPTION</i>	<i>UNIT PRICE</i>	<i>TOTAL PRICE</i>
1	1	LS	Mobilization, Max. \$20,000		
2	1	EA	Tree, Rem, 6 inch to 18 inch		
3	1	EA	Tree, Rem, 19 inch to 36 inch		
4	4	EA	Dr Structure, Rem		
5	1,120	FT	Curb and Gutter, Rem		
6	10	CYD	Masonry and Conc Structure, Rem		
7	750	SYD	Pavt, Rem		
8	1,450	SYD	Sidewalk, Rem		
9	100	CYD	Subgrade Undercutting, Type II		
10	1	LS	Machine Grading, Modified		
11	4,700	SYD	Aggregate Base, 8 inch		
12	266	FT	Sewer, Cl A, 12 inch, Tr Det B		
13	50	FT	4 inch Storm Sewer		
14	2	EA	4 inch Storm Sewer Connection		
15	6	EA	Dr Structure, 24 inch dia		
16	10	EA	Dr Structure, 48 inch dia		
17	15,500	LB	Dr Structure Cover		
18	3	FT	Dr Structure, Adj, Add Depth		
19	25	EA	Dr Structure Cover, Adj, Case 1		
20	10	EA	Dr Structure, Tap, 12 inch		
21	160	FT	Perforated Storm Sewer, 12 inch		
22	2	EA	Dr Structure, 48 inch Dia, Leaching Basin		
23	3,800	SYD	Cold Milling HMA Surface		
24	6,500	SYD	HMA Surface, Rem		
25	580	TON	HMA, 13A		
26	695	TON	HMA, 36A		
27	10	TON	Cement		
28	110	SYD	Conc Pavt, Misc, Reinf, 9 inch		
29	660	FT	Curb, Conc, Det E2		
30	2,380	FT	Curb and Gutter, Conc, Det C4		

**VILLAGE OF BARODA**  
**FIRST STREET STREETScape PROJECT**  
**PROPOSAL**

<i>ITEM NO</i>	<i>ESTIMATED QUANTITY</i>	<i>UNIT</i>	<i>DESCRIPTION</i>	<i>UNIT PRICE</i>	<i>TOTAL PRICE</i>
31	9,620	SFT	Sidewalk, Conc, 4 inch		
32	5,350	SFT	Sidewalk, Conc, 6 inch		
33	2,850	SFT	Sidewalk Ramp		
34	180	FT	Detectable Warning Surface		
35	300	SFT	Brick Pavers		
36	4,115	SFT	Sidewalk, Stamped Concrete, 4 inch		
37	3,365	SFT	Sidewalk, Stamped Concrete, 6 inch		
38	2,260	SFT	Sidewalk, Stamped Concrete, Reinf, 9 inch		
39	130	SFT	Traffic Sign, Modified		
40	200	FT	Pavt Mrkg, Ovly Cold Plastic, 6 inch, Crosswalk		
41	200	FT	Pavt Mrkg, Ovly Cold Plastic, 18 inch, Stop Bar		
42	3	EA	Pavt Mrkg, Ovly Cold Plastic, Thru Arrow Sym		
43	1,000	FT	Pavt Mrkg, Waterborne, 4 inch, Yellow		
44	3,050	FT	Pavt Mrkg, Waterborne, for Rest Areas, Parks, & Lots, 4 inch, White		
45	24	EA	Barricade, Type III, High Intensity, Double Sided, Lighted, Furn		
46	24	EA	Barricade, Type III, High Intensity, Double Sided, Lighted, Oper		
47	1	LS	Flag Control		
48	2	EA	Lighted Arrow, Type C, Furn		
49	2	EA	Lighted Arrow, Type C, Oper		
50	1	LS	Minor Traf Devices		
51	500	FT	Pavt Mrkg, Longit, 6 inch or Less Width, Rem		
52	100	FT	Pavt Mrkg, Type R, 4 inch, Yellow, Temp		
53	100	EA	Plastic Drum, High Intensity, Furn		
54	100	EA	Plastic Drum, High Intensity, Oper		
55	976	SFT	Sign, Type B, Temp, Prismatic, Furn		
56	976	SFT	Sign, Type B, Temp, Prismatic, Oper		
57	1	EA	Clock Base		
58	1	EA	Flag Pole Base		
59	5	EA	Bench, Furnished and Installed		
60	1	EA	Bike Rack		
61	16	EA	Syringa Reticulata, Japanese Tree Lilac, Furnished		
62	16	EA	Syringa Reticulata, Japanese Tree Lilac, Installed		

**VILLAGE OF BARODA**  
**FIRST STREET STREETScape PROJECT**  
**PROPOSAL**

<i>ITEM NO</i>	<i>ESTIMATED QUANTITY</i>	<i>UNIT</i>	<i>DESCRIPTION</i>	<i>UNIT PRICE</i>	<i>TOTAL PRICE</i>
63	7	EA	Tree Grate, 30 inch		
64	9	EA	Tree Grate, 36 inch		
65	7	EA	Trash Receptacle		
66	1	LS	Irrigation System, Complete		
67	600	SYD	Topsoil Surface, Furn, 4 inch		
68	30	LB	Seeding, Mixture THM		
69	30	LB	Fertilizer, Chemical Nutrient, CI A		
70	600	SYD	Mulch Blanket		
71	500	FT	Conduit, Directional Bore, 4 inch		
72	1	EA	Wood Pole, Rem		
73	600	FT	Conduit, Directional Bore, 2, 4 inch		
74	1	EA	Flag Pole, Rem and Install		
75	40	EA	Street Light Foundation		
76	1	EA	Street Light, Electrical and Controls		
77	16	EA	Street Light A, Furnished and Installed (w/Banner Arms)		
78	15	EA	Street Light B, Furnished and Installed (w/Planter Arms)		
79	9	EA	Street Light C, Furnished and Installed (Plain Street Light)		
80	12	EA	Traffic Sign Post Foundation		
81	12	EA	Traffic Sign Post, Modified		
82	1	LS	Site Electrical		
83	1	EA	Span Wire, Rem		
84	1	EA	TS, Span Wire Mtd, Rem		
85	2	EA	Hydrant, Relocate, Case 1		
86	4	EA	Water Valve, Adj, Case 1		
87	120	LFT	6' Tall White Vinyl Fence		
88	4	EA	Sewer, Bulkhead, 12 inch		
89	140	LFT	6' Privacy Fence		
<b><i>CATEGORY 2 – NON-PARTICIPATING ITEM</i></b>					
90	600	SFT	Sidewalk, Conc, 4 inch		

**VILLAGE OF BARODA**  
**FIRST STREET STREETSCAPE PROJECT**  
**PROPOSAL**

**ALTERNATE BID ITEMS:**

91	16	EA	Acer Rubrum Bowhall, Bowhall Maple, Furnished		
92	16	EA	Acer Rubrum Bowhall, Bowhall Maple, Installed		
93	1	EA	Hydrant, Valve and Box, 6"		
94	20	LFT	Water Main, 6", DIP		
95	1	EA	Connect to Existing Main, 6 inch		
96	200	LBS	Ductile Iron Fittings		
<b>TOTAL BASE BID (CATEGORY 1 &amp; 2):</b>					\$ _____
<b>TOTAL ALTERNATE BID ITEMS:</b>					\$ _____
<b>TOTAL BASE AND ALTERNATE BID (NOT INCLUDING ITEMS 61 &amp; 62):</b>					\$ _____

**FIRM:** \_\_\_\_\_

**DATE:** \_\_\_\_\_

**PHONE:** \_\_\_\_\_

Accompanying this Proposal is a (Bid Bond, Certified Check, Bank Draft) in the amount of Five Percent (5%) payable to the Village of Baroda required by the Advertisement for Bids.

In submitting this bid, it is understood that the right is reserved for the ENGINEER to reject any and all bids. It is agreed that this bid may not be withdrawn for a period of sixty (60) days from the opening thereof.

If awarded a Contract, the undersigned agrees to begin work within 10 days of the effective date of Contract or a date agreed upon with the OWNER and further agrees to proceed with all possible dispatch, and fully complete the work as detailed in the Progress Schedule.

\_\_\_\_\_  
DATE

\_\_\_\_\_  
FIRM NAME

OFFICIAL ADDRESS:  
  
\_\_\_\_\_  
\_\_\_\_\_  
\_\_\_\_\_  
\_\_\_\_\_

\_\_\_\_\_  
BY:

(Note: Bidders should not add any conditions or qualifying statements to the bid as otherwise the bid may be declared irregular as being not responsive to the Advertisement for Bids.)